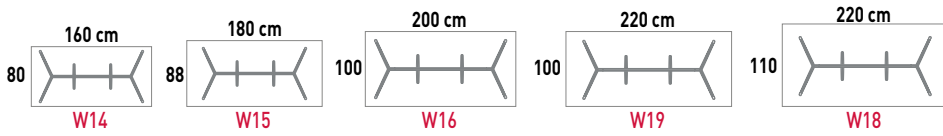


ARKITEK

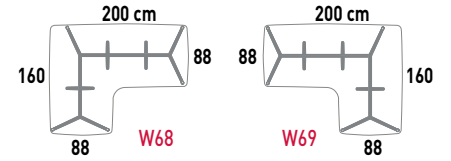
— By Alegre Design —



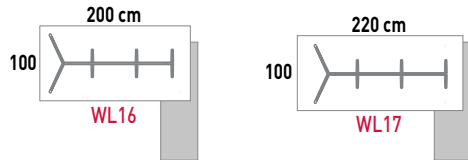
INDIVIDUAL AND EXECUTIVE DESKS



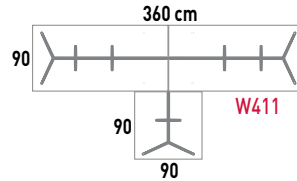
CRESCENT DESKS



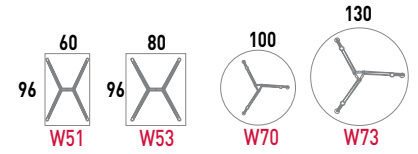
EXECUTIVE DESK SUPPORTED BY BLOCK STORAGE UNIT



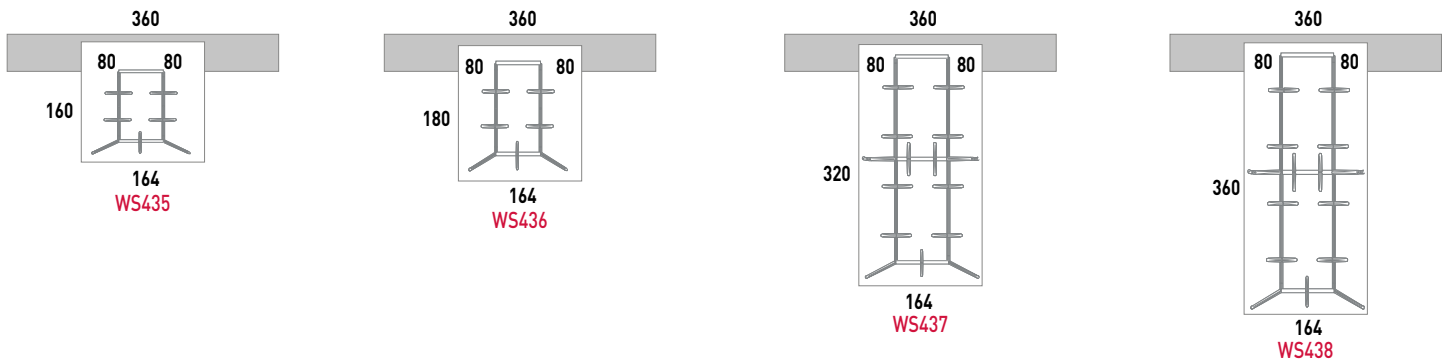
DESK WITH SHARED RETURN DESK



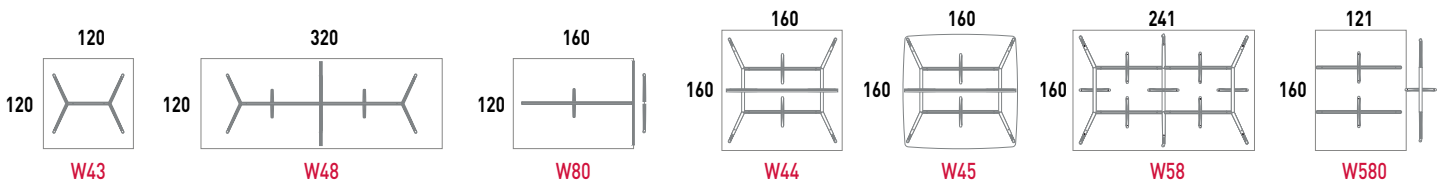
MEETING TABLES



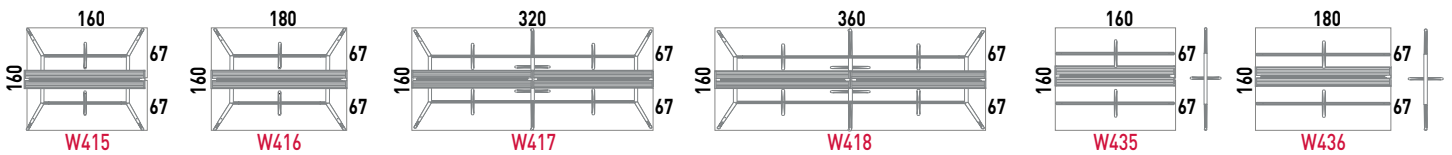
DESK SUPPORTED BY SPINE STORAGE UNIT



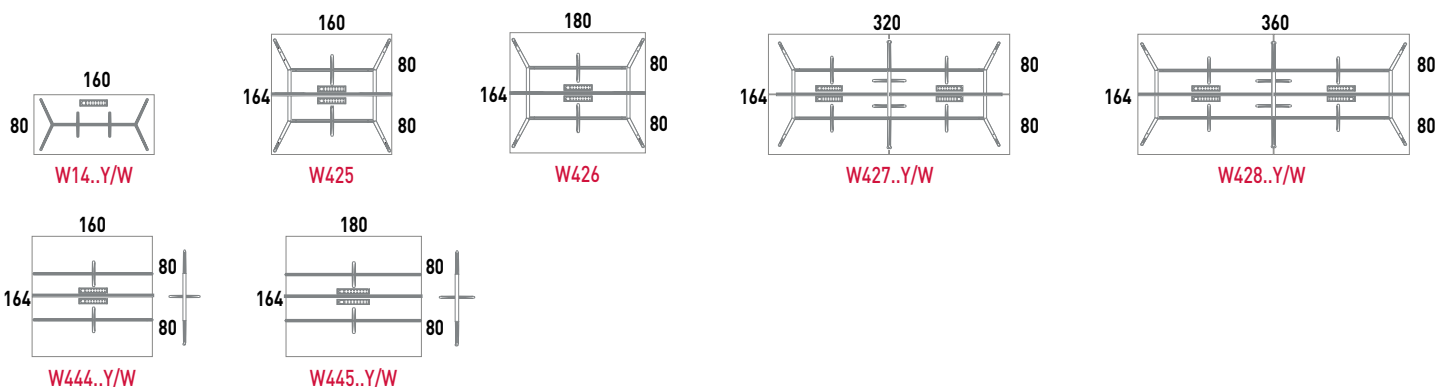
MEETING TABLES



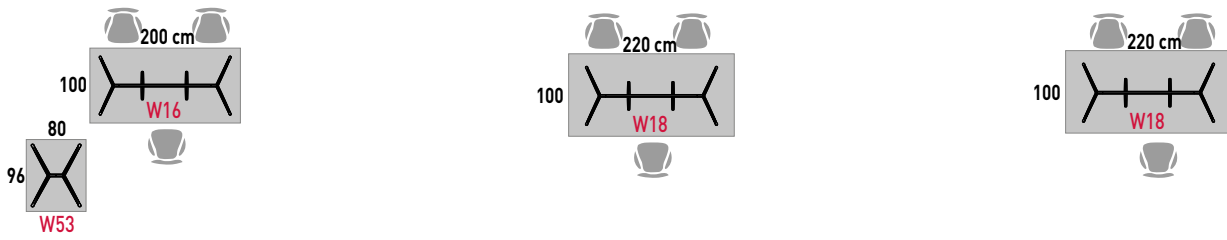
TWIN DESKS WITH FULL LENGTH TOP ACCESS CABLE TRAY



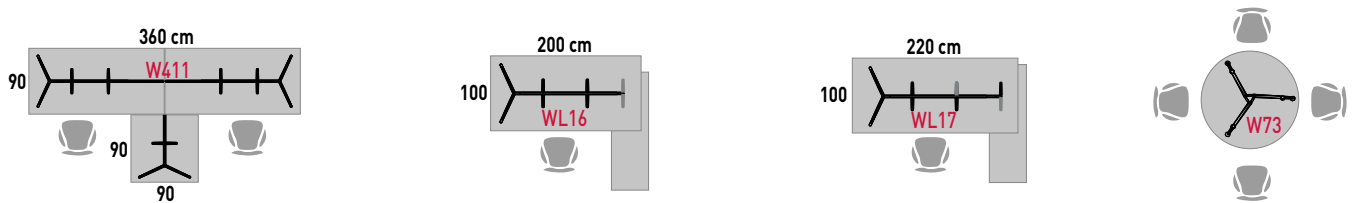
INDIVIDUAL AND TWIN DESKS WITH 500 mm CABLE ACCESS



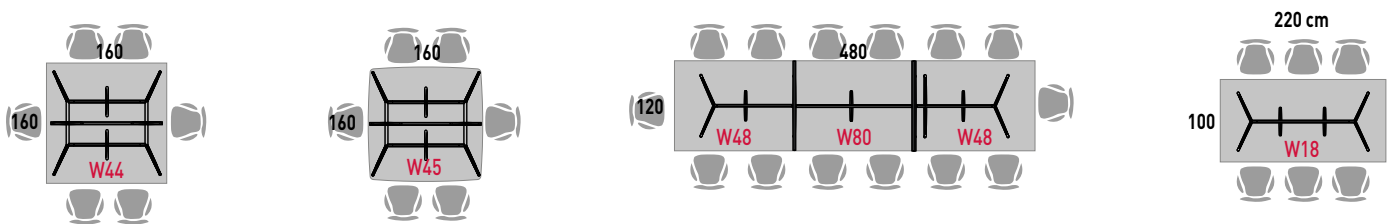
RECTANGULAR DESKS



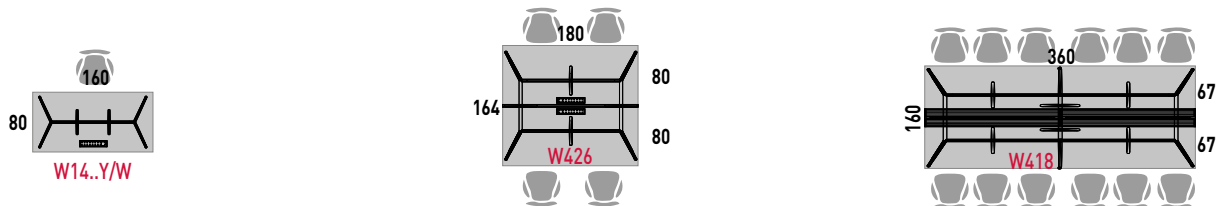
RECTANGULAR DESKS



BENCH DESKING (PROGRESSIVE SYSTEM)



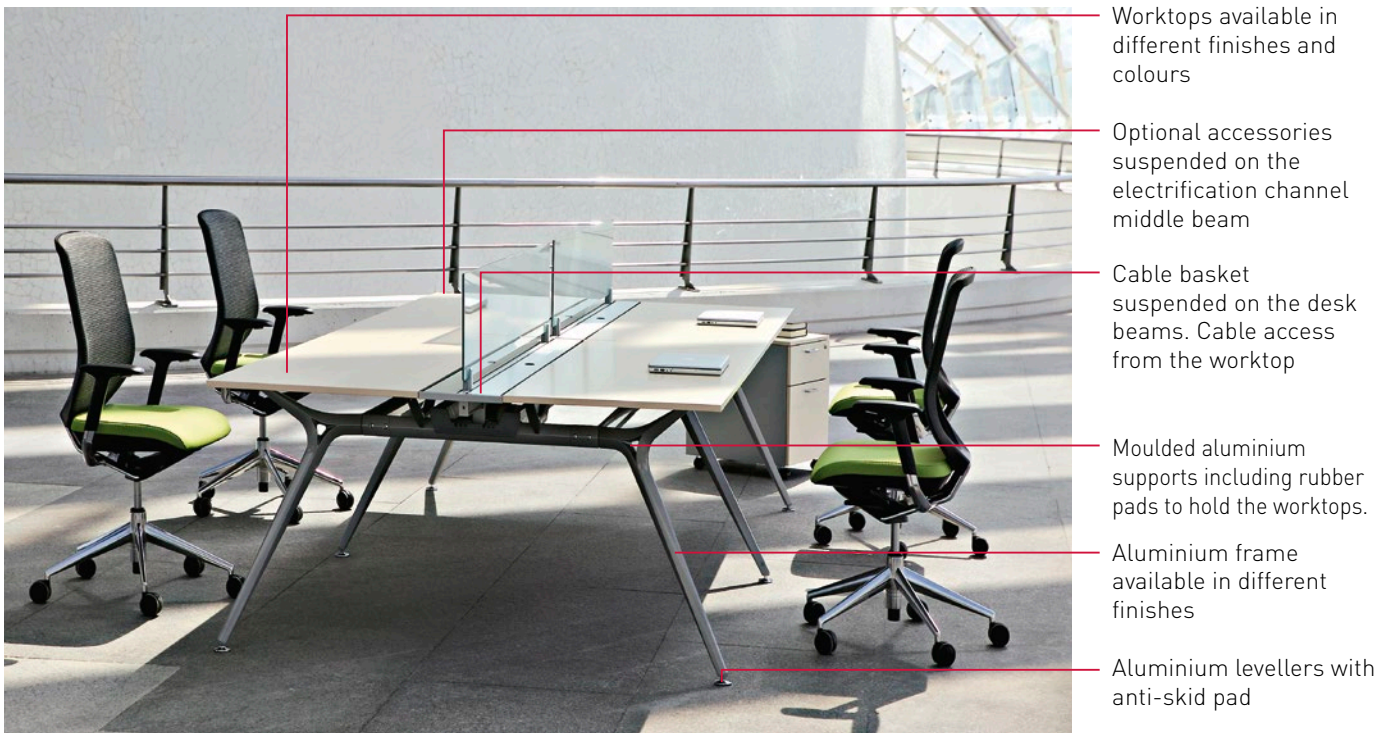
TWIN DESKS WITH RECESSED MIDDLE LEG AND TWIN DESKS WITH FULL LENGTH TOP ACCESS CABLE TRAY



Single desks



Bench desks



DESK-TOP FINISHES

MFC (19 mm)



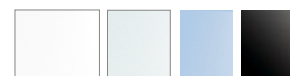
White Lime Oak Maple Elm Chestnut Dark oak Wengue Black

Compact Laminate (13 mm)



White Maple Chestnut Wengue Black

Laminated security glass (5+5/6+6 mm)



Clear Frosted Blue Black

Tempered security glass (10 mm)



White

WENGUE(19/39) FINISH WILL BE DISCONTINUED ONCE THE STOCKS FINISHED

■ FRAME

Moulded aluminium legs and extruded aluminium beams.
Five different finishes: Silver, White or Black coating, Polished or Chrome



White coating Silver coating Polished Chrome Black

■ LEG SUPPORTS

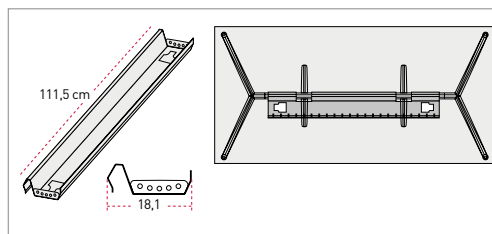
Moulded aluminium leveller. Chrome.
Each leveller includes anti-skid pad.



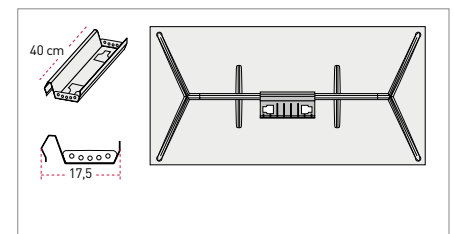
Leveller - desk height: 74,5 cm

■ ELECTRIFICATION SYSTEM

Full length cable channel
with large capacity for cables. Easy access to the cables from the worktop.



111,5cm Channel for individual use 180 and 200 cm desks.



40cm Channel for individual use 160, 180, 200 and 220cm desks

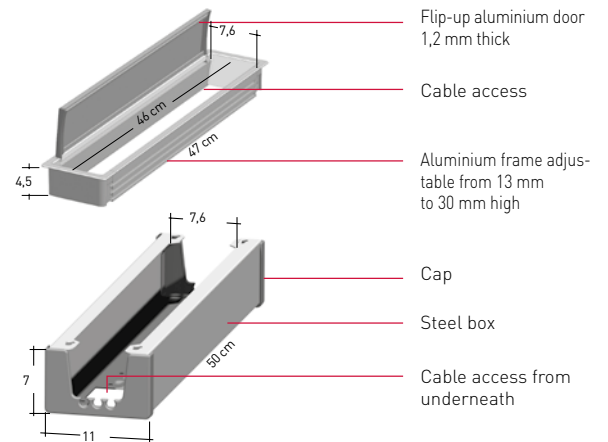
Flip up aluminium door and metal cable box for cable access. It provides effective cable management solutions. Perfect in workplaces with several users.

Technical features:

- Large capacity for cables.
- Maximum accessibility and socket.
- Optimize the work surface.
- Polished flip up door and trim.



Flip up door and metal box



Full length cable tray.

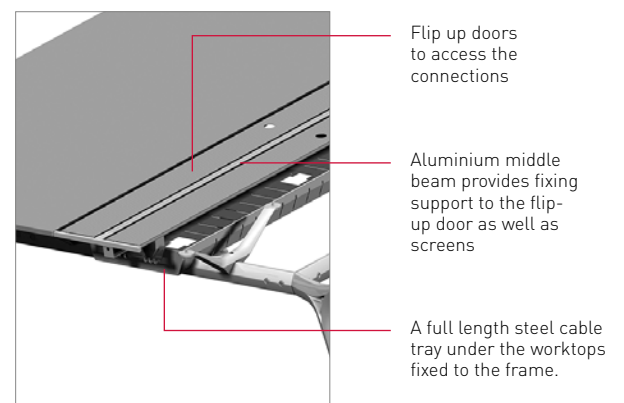
A large steel cable tray under the worktops. Easy to access due to the aluminium flip up doors fixed to the central beam.

Technical features:

- Maximum capacity.
- Easy access to the cable connectors for the users as well as the technicians.
- Recommended for large projects where intensive cable capacity is required.



Full length cable tray





MATERIALS

Maximum use of materials to eliminate and minimize scraps. Use of recyclable and recycled materials in those components that do not affect the functionality and durability.

85,12%
RECYCLED
MATERIALS



PRODUCTION

Maximum optimization of energy use. Minimal environmental impact. Last generation technological systems. Zero discharge of wastewater. No VOC coatings. Processes free of heavy metals, phosphates, OC and COD.

100%
RECYCLABLE
ALUMINIUM, STEEL
& WOOD



TRANSPORT

Detachable systems. Volumes that facilitate the optimization of space. Maximum reduction of energy consumption by transport.

100%
RECYCLABLE
PACKAGE AND THINNER
FREE



USE

Quality and warranty. Long lasting. Replacements available.

EASY
TO CLEAN
AND MAINTAIN



DISPOSAL

Waste reduction. Supplier-manufacturer packaging reuse system. Components are easy to be separated. Inks in packaging are water-based, without solvents.

97,59%
RECYCLABLE
MATERIALS

■ **CERTIFICATES AND REFERENCES**

The different programmes get points in different environmental categories to get the LEED certificate (sustainability, material and resources, water, energy and atmosphere, inner environment quality, innovation and design).



■ **STANDARDS**

ARKITEK has passed tests done in our technical department as well as the tests done in **AIDIMA** the Technological Institute for furniture. The tests correspond to **UNE** standards and office desks:

- **UNE: EN 527-1:2011.** Office Furniture. Desks. **Part 1:** Dimensions.
- **UNE: EN 527-2:2003.** Office Furniture. Desks. **Part 2:** Mechanical security requirements.
- **UNE: EN 527-3:2003.** Office Furniture. Desks. **Part 3:** Test to determine stability and structure resistance.
- **UNE: EN 15372:08.** Office Furniture. Strength, durability and safety. Requirements for domestic use desks. Office Furniture. Desks. **Part 2:** Strength, durability and safety.
- **UNE: EN 1730:13.** Furniture. Tables. Test methods for the determination of stability, strength and durability.
- **UNE: EN14073-2:05.** Office furniture. Tables and desks and storage furniture. Safety requirements.
- **UNE: EN 14073-3:05.** Office furniture. Tables and desks and storage furniture. Test methods for the determination of stability and strength of the structure.
- **UNE: EN 14074:05.** Office furniture. Tables and desks and storage furniture. Test methods for the determination of strength and durability of moving parts.