

# EFG HideTech

Furniture for meetings





## EFG HideTech range.

EFG HideTech is a range of desks designed for the future when an even greater share of work will consist of meetings. Meetings where you stand or sit, at high tables or low tables, large or small.

Above all, EFG HideTech is a new way of thinking. It's a way to meet a future where technology isn't only an integral part of working, but also an integral part of interior design. It's about technology you access from the desktop via the next generation cable management. It's about new table top designs that ensure everyone can see and be seen, in video conferences, for instance.

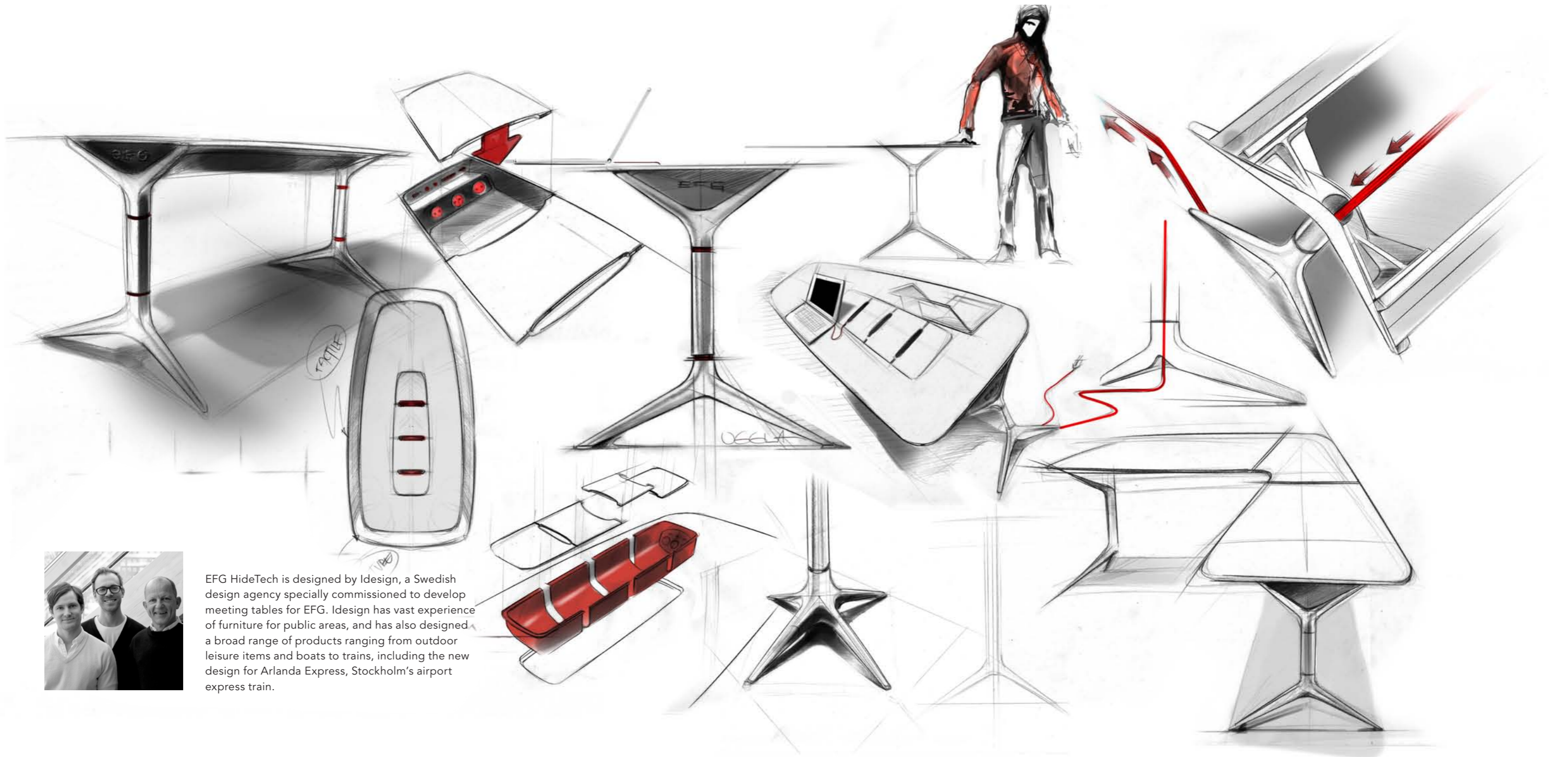
Screen, camera, microphone ...  
EFG HideTech AVM has it all in the work surface.



# Hidden qualities with visible benefits.

Cable management is integrated into the design of the EFG HideTech tables. There's a connection box located in the middle of the work surface with outlets for various types of power and data connections ... you choose the outlets you want. And how many. Cables from computers, for example, are concealed by covers that fit in place with the help of magnets. Cables to external sockets are led down desk legs to floor level.

The underside of the table and its cables are covered by a recycled polyester fibre sheet which prevents resonance from the table top and floor.



EFG HideTech is designed by Idesign, a Swedish design agency specially commissioned to develop meeting tables for EFG. Idesign has vast experience of furniture for public areas, and has also designed a broad range of products ranging from outdoor leisure items and boats to trains, including the new design for Arlanda Express, Stockholm's airport express train.

# EFG HideTech AVM. All you need for internal and external communication.

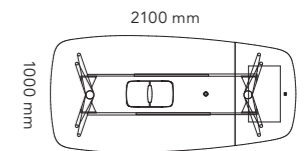


The slim screen is protected by tempered glass screen. With the screen lowered, EFG HideTech AVM becomes a regular meeting table.

Put EFG HideTech AVM in a traditional meeting room or out in the office landscape – you don't need a wall to hang a screen or display.

As in-house presentations and communication with the outside world become more important, EFG HideTech AVM (Audio Video Motion) offers the ultimate solution. Communication technology integrated into the table itself. Smart, practical and compact.

EFG HideTech AVM also features an outlet box with all its connection options.



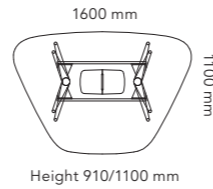
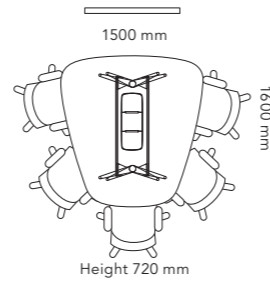
Behind the tempered glass there's a screen, two loudspeakers and an HD camera. The screen can be controlled from a laptop computer, for example. Or, even better, from a computer integrated in the table. The work surface in anti-glare, sound-absorbing linoleum features a height adjustable microphone.

# Video conferences and interactive meetings. Where everyone can see.

Out of EFG HideTech's table shapes, two have been specially developed for presentations and interactive meetings. The basic design premise is that everyone should be able to see and be seen.



EFG HideTech for fast-paced, dynamic meetings. Table height 1100 mm.



EFG HideTech with height 910 mm. Meeting chair Savo Invite High.

# New rectangular table tops with rounded corners.

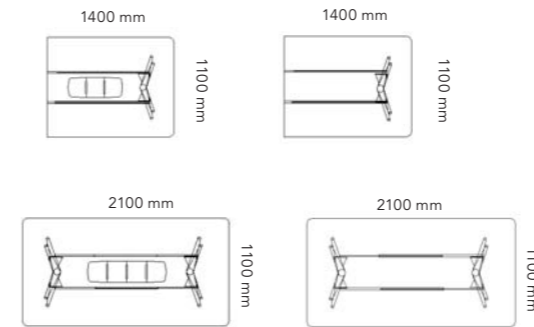
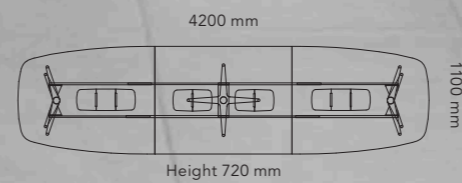


Table tops with rounded corners, radius 50 mm

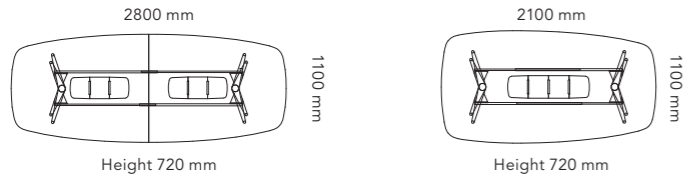


EFG HideTech meeting table with rectangular table top. Chair EFG Nova.

EFG HideTech is one of the most stable conference tables on the market. Even really long tables are just as stable, thanks to the four-footed pedestal base.



EFG HideTech table with black lacquer frame. Graf chair.



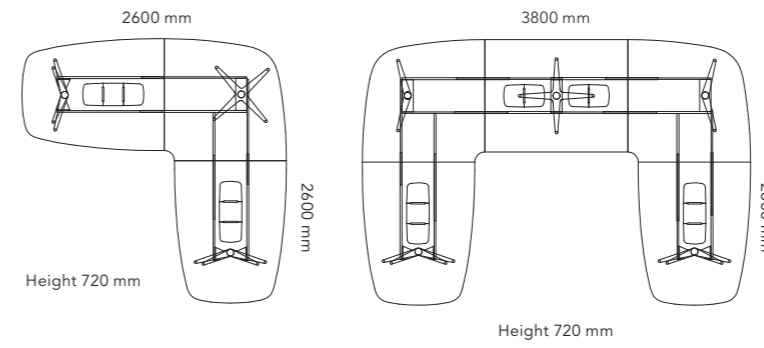
EFG HideTech table top in natural birch with polished aluminium frame. Graf chair.



EFG HideTech table top in walnut with white lacquer frame. Savo S3 chair.



EFG HideTech is designed to suit all kinds of meetings. Large and small, with or without video conferencing. With access to power and data right in the table.

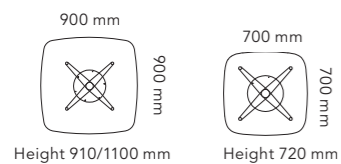
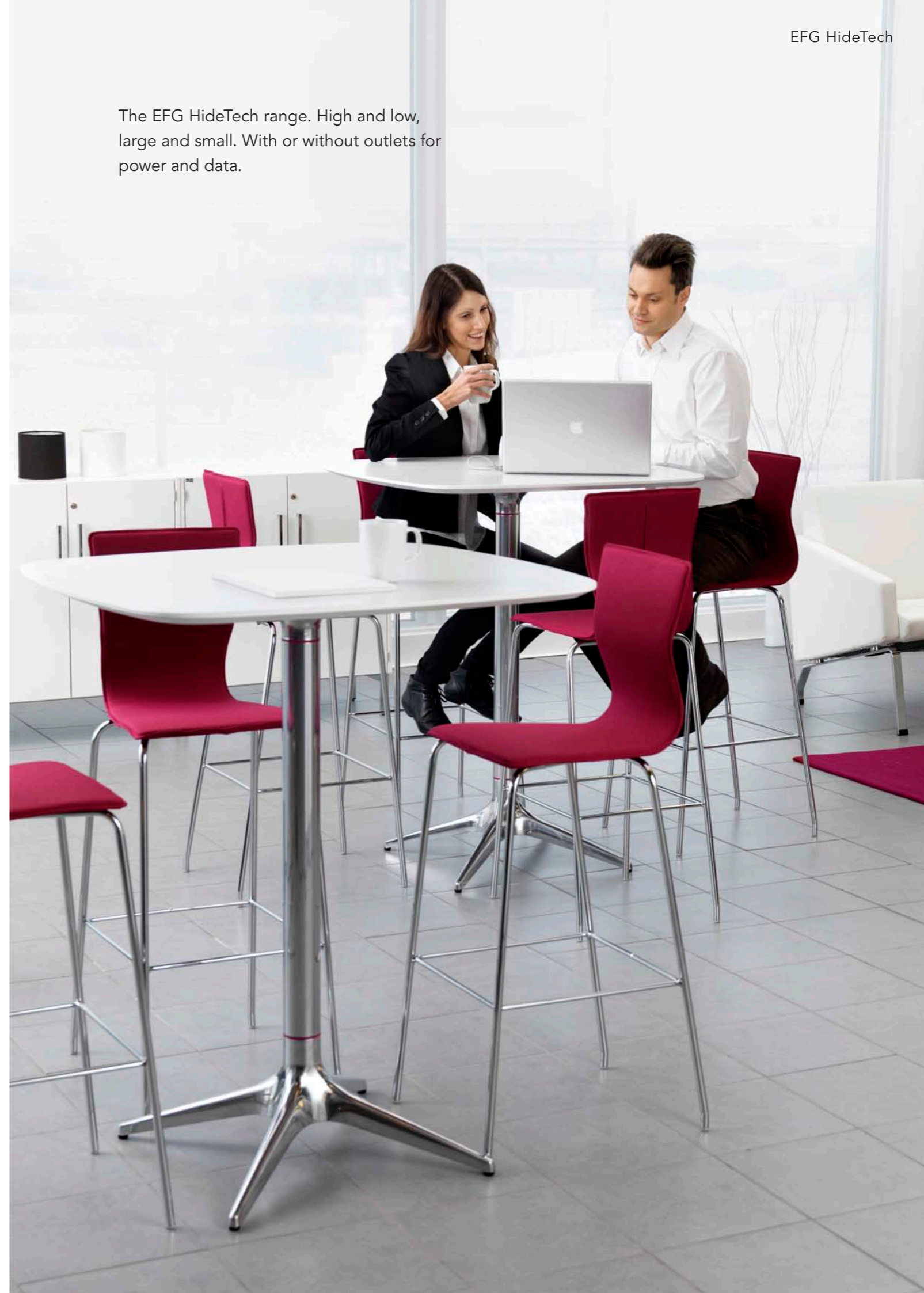


EFG HideTech in a gently curved, practical V-style configuration. Table with polished aluminium frame. Woods conference seating.

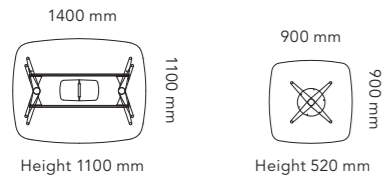


# It's the smaller tables that make the range complete.

The EFG HideTech range. High and low, large and small. With or without outlets for power and data.



Outlets for power and data are available for the smaller tables in the range, too. You can also opt for a perfectly smooth table top with no outlets.



They say variety is the spice of life. With a table height of 1100 mm you can choose whether to sit or stand while working. Graf chair.

EFG HideTech 520 mm high for lounge and reception areas. Desmond sofa and armchair.



Here's an overview of the materials and colours available as standard for tops and frames. Yes, as standard. We can also help out if you'd like something else.



New! Natural ash

Linoleum Nero

Natural walnut



HPL white

Natural birch

Veneer: Ash, walnut and natural birch.  
 Linoleum: Nero  
 High pressure laminate: White HPL  
 Frame available in four versions: Polished aluminium, white or black lacquer, polished aluminium with grey column.



You choose freely among materials and colours for tops and frames, and you choose which connections you want in the box.

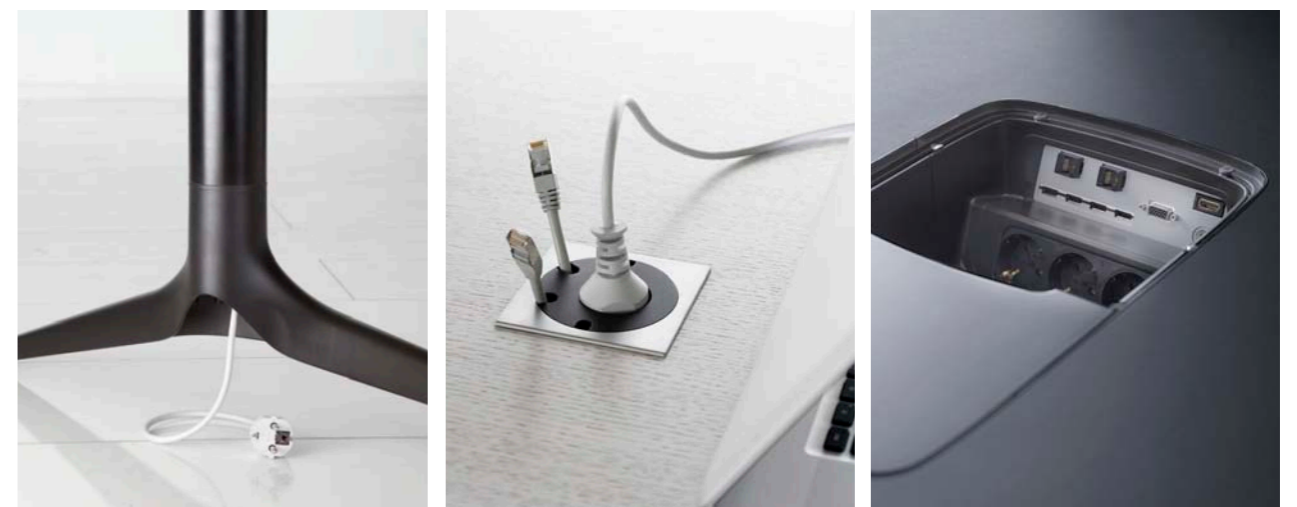
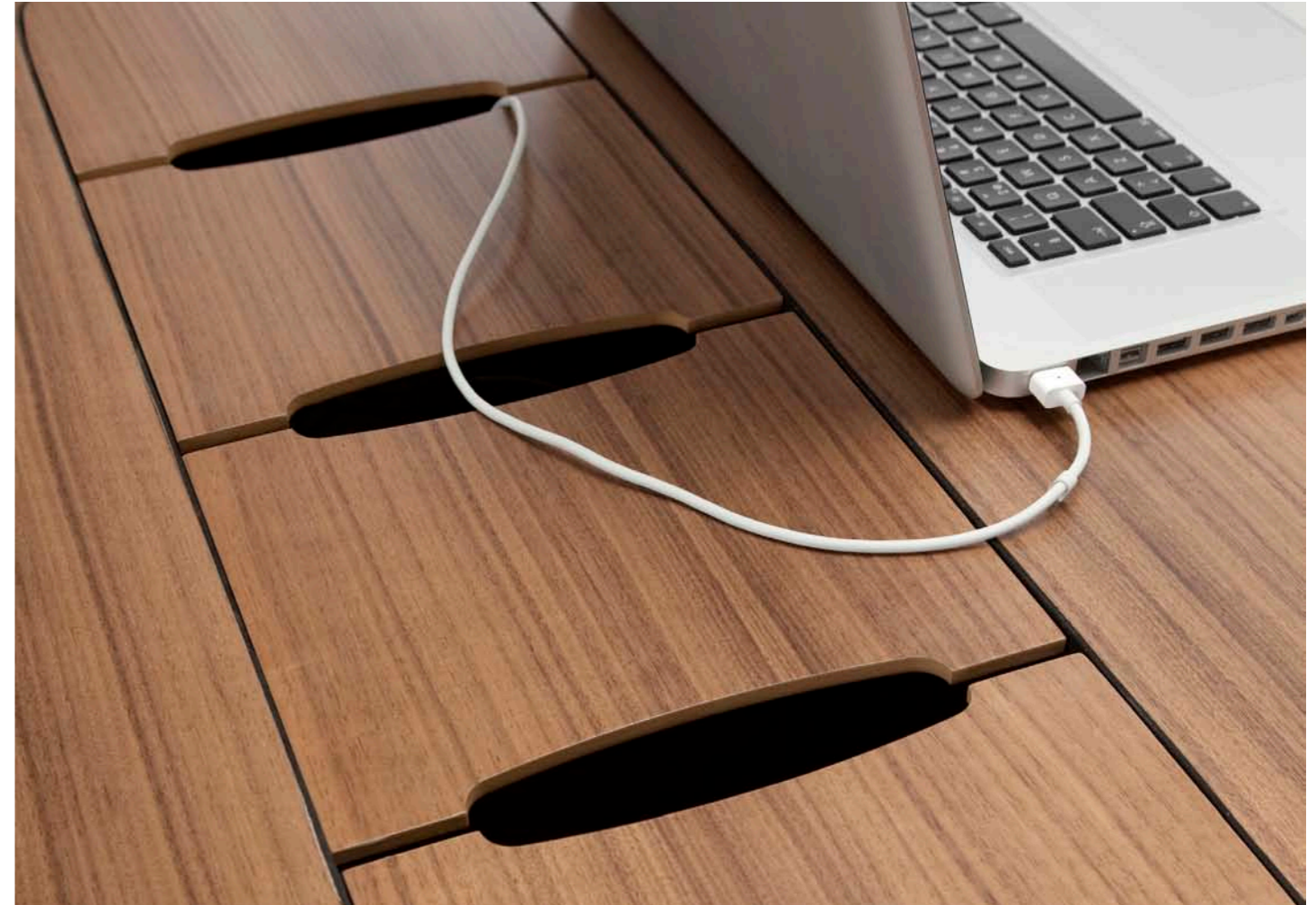


Table heights



Table with connection box

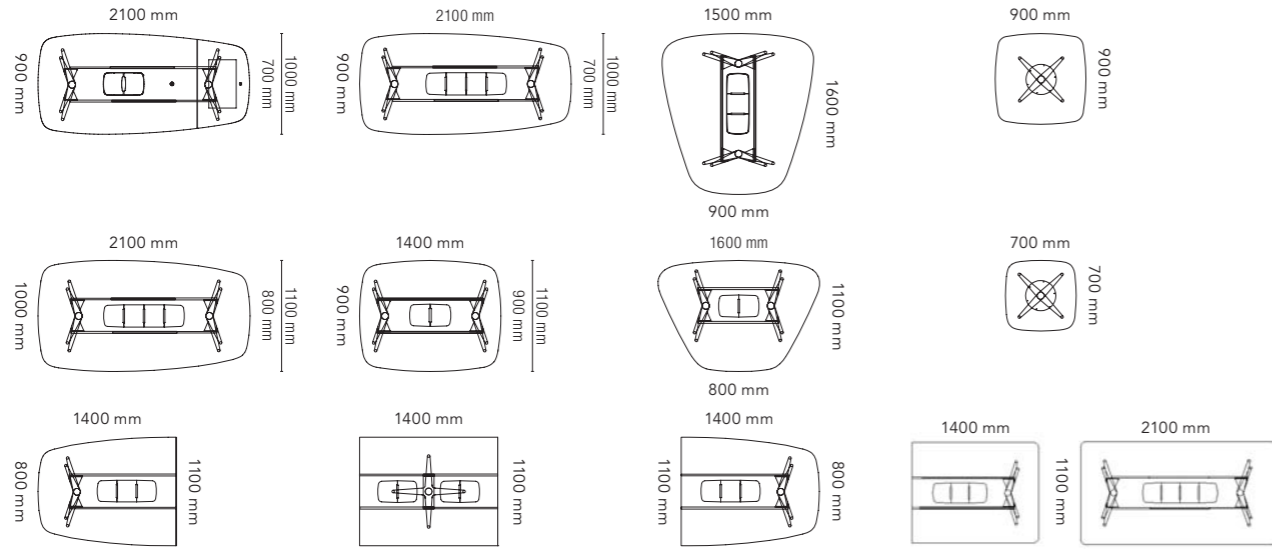
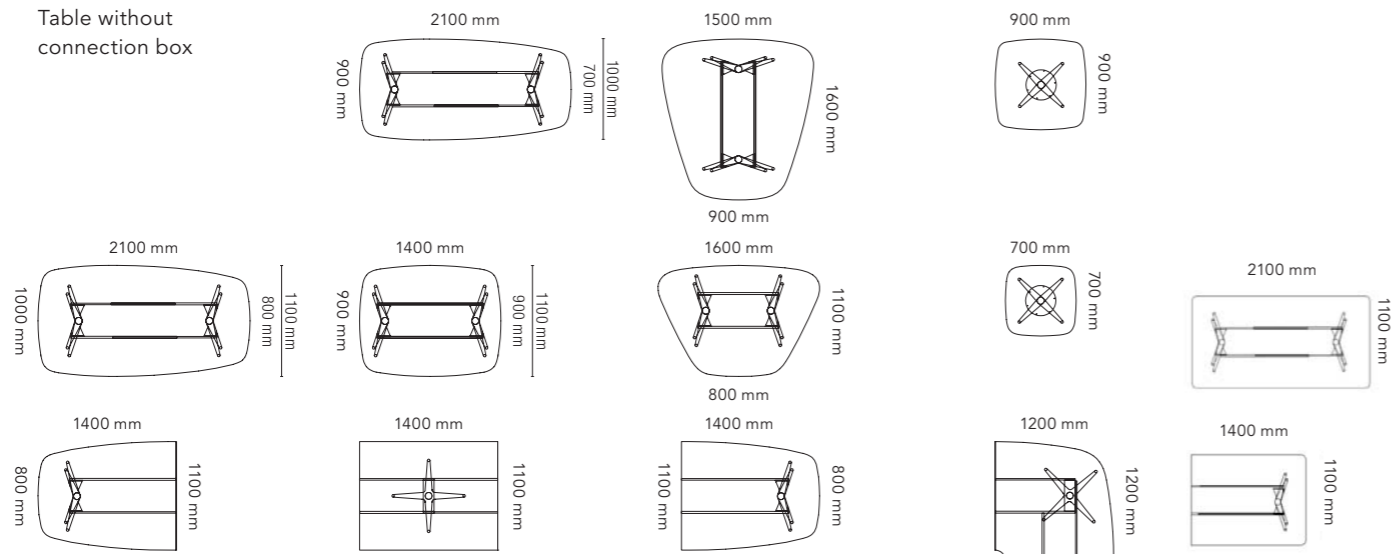


Table without connection box



European Furniture Group is one of Europe's leading providers of furniture for offices and public workspaces. From our base in Scandinavia, we work with an international market and always towards the same goal - to offer the bigger picture by listening to our customers needs and hence develop products that increase performance and enhance overall image.

