



---

# BuzziBlox

## Product Specification Sheet

---

This document contains technical information about the BuzziBlox






**BuzziBlox is a group of acoustic panels with different depths, developed to tune a room in the speech spectrum range and especially in the low and mid- frequencies.**

By using alternating depths, the absorption of the different wavelengths into the thick layers of foam will be improved and make sure that the waves don't reflect into the room again. This diffusion effect will give the room a more pleasant sound experience. When placed against a wall, the Blox has more the appearance of a piece of art while fully maintaining its initial purpose: to control and monitor the sound in any given room, from a recording studio to an office or a public space.

Design by BuzziSpace Studio

---

## General

-  BuzziBlox Square | Rectangular | Hexa | Penta | Wedge  
Wall mounted or ceiling pendant
  
-  Frame: Poplar Multiplex  
Filling: Acoustic foam + Dacron  
Cover: Fabric, Trevira CS+ | CS, Revive 1, Clara 2, Remix 3, Hero, Tonus 4, Memory 2  
Back: Black textile
  
-  If installing on suspended ceiling, verify load capacity prior to installation.

---

## Acoustics



Absorption



Low tone



Mid tones



High tones

---

## Content

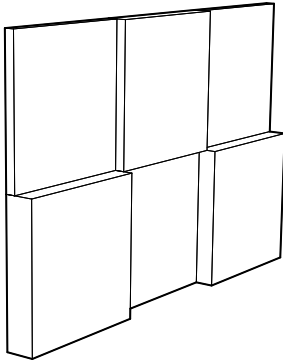
Configurations	3
Fabrics	8
Fixing Systems	11
Dimensions BuzziBlox	12
Dimensions fixing points	16
Acoustics	17

# Configurations

---

## BuzziBlox Square

Example composition (can be bought per piece)



Frame: Poplar Multiplex  
Filling: Acoustic foam + Dacron  
Cover: Fabric, Trevira CS+ | CS, Revive 1, Clara 2, Remix 3, Hero, Tonus 4, Memory 2  
Back: Black textile

SQ-4: W 59,5 cm H 59,5 cm D 4 cm  
W 23.43" H 23.43" D 1.57"

SQ-8: W 59,5 cm H 59,5 cm D 8 cm  
W 23.43" H 23.43" D 3.15"

SQ-12: W 59,5 cm H 59,5 cm D 12 cm  
W 23.43" H 23.43" D 4.72"

SQ-4: 1,6 kg  
3.53 lbs

SQ-8: 2,7 kg  
5.95 lbs

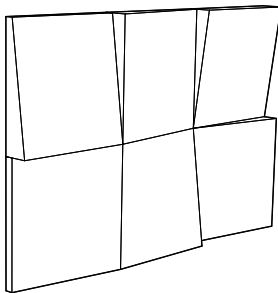
SQ-12: 3,8 kg  
8.36 lbs

... Fixing system ceiling pendant (optional)

---

## BuzziBlox Square Wedge

Example composition (can be bought per piece)



Frame: Poplar Multiplex  
Filling: Acoustic foam + Dacron  
Cover: Fabric, Trevira CS+ | CS, Revive 1, Clara 2, Remix 3, Hero, Tonus 4, Memory 2  
Back: Black textile

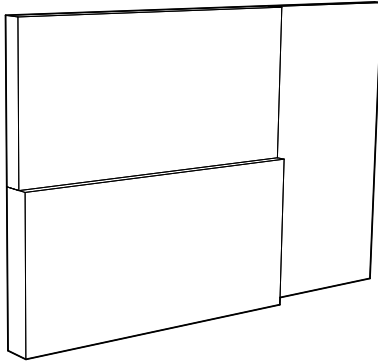
SQ-Wedge: W 59,5 cm H 59,5 cm D 4 to 12 cm  
W 23.43" H 23.43" D 1.57" to 4.72"

SQ-Wedge: 2,9 kg  
3.53 lbs

... Fixing system ceiling pendant (optional)

## BuzziBlox Rectangular

Example composition (can be bought per piece)



Frame: Poplar Multiplex

Filling: Acoustic foam + Dacron

🌲 Cover: Fabric, Trevira CS+ | CS, Revive 1, Clara 2, Remix 3, Hero, Tonus 4, Memory 2  
Back: Black textile

R-4: W 119 cm H 59,5 cm D 4 cm  
W 46.85" H 23.43" D 1.57"

R-8: W 119 cm H 59,5 cm D 8 cm  
W 46.85" H 23.43" D 3.15"

✂ R-12: W 119 cm H 59,5 cm D 12 cm  
W 46.85" H 23.43" D 4.72"

RXL-8: W 200 cm H 100 cm D 8 cm  
W 78.74" H 39.37" D 3.15"

RXL-12: W 200 cm H 100 cm D 12 cm  
W 78.74" H 39.37" D 4.72"

R-4: 3 kg  
6.38 lbs

R-8: 4,5 kg  
9.90 lbs

⚖ R-12: 6,5 kg  
14.33 lbs

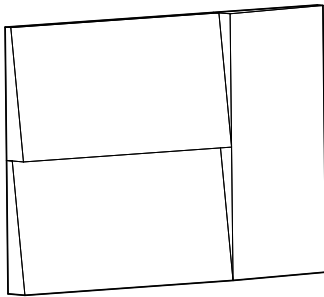
RXL-8: 13,5 kg  
29.8 lbs

RXL-12: 15,5 kg  
34.2 lbs

⋯ Fixing system ceiling pendant (optional, not for RXL).

## BuzziBlox Rectangular Woss (Wedge on short side)

Example composition (can be bought per piece)



Frame: Poplar Multiplex

Filling: Acoustic foam + Dacron

🌲 Cover: Fabric, Trevira CS+ | CS, Revive 1, Clara 2, Remix 3, Hero, Tonus 4, Memory 2  
Back: Black textile

✂ R-Woss: W 119 cm H 59,5 cm D 4 to 12 cm  
W 46.85" H 23.43" D 1.57" to 4.72"

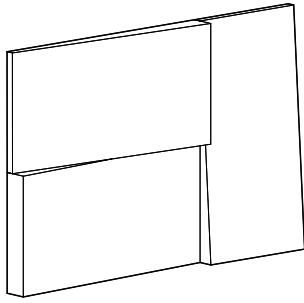
⚖ R-Woss: 4,8 kg  
10.58 lbs

⋯ Fixing system ceiling pendant (optional, not for RXL)

---

## BuzziBlox Rectangular Wols (Wedge on long side)

Example composition (can be bought per piece)



Frame: Poplar Multiplex

Filling: Acoustic foam + Dacron

🌲 Cover: Fabric, Trevira CS+ |CS, Revive 1, Clara 2, Remix 3, Hero, Tonus 4, Memory 2  
Back: Black textile

✂ R-Wols: W 119 cm H 59,5 cm D 4 to 12 cm  
W 46.85" H 23.43" D 1.57" to 4.72"

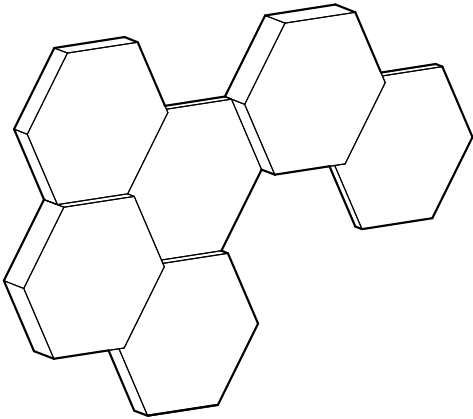
⚖ R-Wols: 4,8 kg  
10.58 lbs

⋮ Fixing system ceiling pendant (optional)

---

## BuzziBlox Hexa

Example composition (can be bought per piece)



Frame: Poplar Multiplex

Filling: Acoustic foam + Dacron

🌲 Cover: Fabric, Trevira CS+ |CS, Revive 1, Clara 2, Remix 3, Hero, Tonus 4, Memory 2  
Back: Black textile

Hexa-4: W 60 cm H 69,3 cm D 4 cm  
W 23.62" H 27.28" D 1.57"

✂ Hexa-8: W 60 cm H 69,3 cm D 8 cm  
W 23.62" H 27.28" D 3.15"

Hexa-12: W 60 cm H 69,3 cm D 12 cm  
W 23.62" H 27.28" D 4.72"

Hexa-4: 1,5 kg  
3.31 lbs

⚖ Hexa-8: 2,3 kg  
5.07 lbs

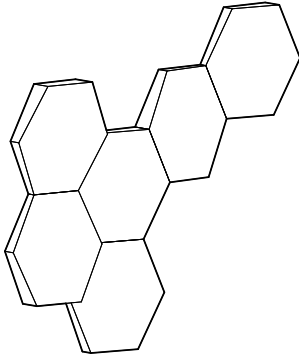
Hexa-12: 3,2 kg  
7.05 lbs

⋮ Fixing system ceiling pendant (optional)

---

## BuzziBlox Hexa Wedge

Example composition (can be bought per piece)



Frame: Poplar Multiplex

Filling: Acoustic foam + Dacron

🌲 Cover: Fabric, Trevira CS+ |CS, Revive 1, Clara 2, Remix 3, Hero, Tonus 4, Memory 2  
Back: Black textile

✂ Hexa Wedge: W 60 cm H 69,3 cm D 4 to 12 cm  
W 23.62" H 27.28" D 1.57" to 4.72"

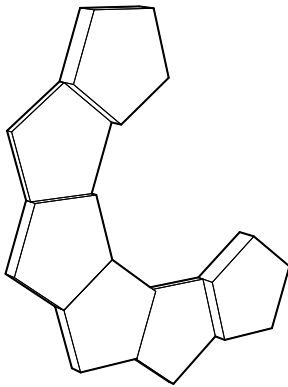
⚖ Hexa Wedge: 2,5 kg  
5.51 lbs

⋮ Fixing system ceiling pendant (optional)

---

## BuzziBlox Penta

Example composition (can be bought per piece)



Frame: Poplar Multiplex

Filling: Acoustic foam + Dacron

🌲 Cover: Fabric, Trevira CS+ |CS, Revive 1, Clara 2, Remix 3, Hero, Tonus 4, Memory 2  
Back: Black textile

Penta-4: W 60 cm H 63 cm D 4 cm  
W 23.62" H 24.84" D 1.57"

✂ Penta-8: W 60 cm H 63 cm D 8 cm  
W 23.62" H 24.84" D 3.15"

Penta-12: W 60 cm H 63 cm D 12 cm  
W 23.62" H 24.84" D 4.72"

Penta-4: 1,3 kg  
2.87 lbs

⚖ Penta-8: 2,1 kg  
4.63 lbs

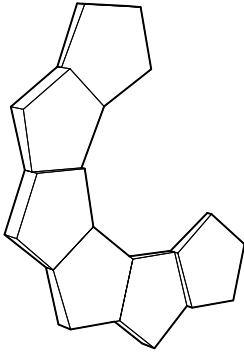
Penta-12: 3 kg  
6.61 lbs

⋮ Fixing system ceiling pendant (optional)

---

## BuzziBlox Penta Wedge

Example composition (can be bought per piece)



Frame: Poplar Multiplex

Filling: Acoustic foam + Dacron

🌲 Cover: Fabric, Trevira CS+ |CS, Revive 1,  
Clara 2, Remix 3, Hero, Tonus 4, Memory 2  
Back: Black textile

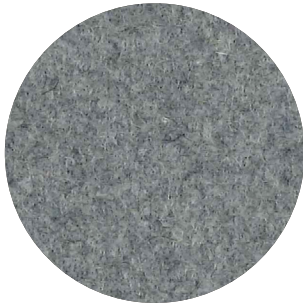
✂ Penta Wedge: W 60 cm H 63 cm D 4 to 12 cm  
W 23.62" H 24.84" D 1.57" to 4.72"

⚖ Penta Wedge: 2,3 kg  
5.07 lbs

⋮ Fixing system ceiling pendant (optional)

# Fabrics

## Fabric



**Category A**

**Composition** 70% Recycled Wool, 25% Recycled Polyacryl,  
5% Recycled Other Fabrics

**Weight** 405 g/m<sup>2</sup> | 11.94 oz/yd<sup>2</sup>

**Abrasion resistance** 40.000 Martindale, 50,000 Wyzenbeek

**Flammability** EU: EN 1021.1/2006 | BS EN 1021.1/2006 (cigarette).  
EN 1021.2/2006 | BS EN 1021.2/2006 (match)  
USA: CAL TB 117 | ASTM E84 CLASS A

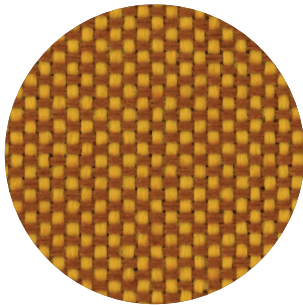
**Fastness to light** EU 4 | USA 4

**Fastness to rubbing** EU: Wet 3-4 | Dry 4-5

**Fastness to crocking** USA: Wet 5 | Dry 5



## Trevira CS+ | CS



**Category A**

**Weight** 420 g/m<sup>2</sup> | 12.39 oz/yd<sup>2</sup>

**Composition** 100% Polyester, Trevira CS

**Abrasion resistance** 100.000 Martindale, 90,000 Wyzenbeek

**Flammability** BS 5852 part II: CRIB 5 | BS 7176 Medium Hazard  
USA: CAL TB 117 | M1 | B1 | EN 1021/1-2 | C1 |  
EN 1021/1-2  
IMO Res. A652 (16)

**Fastness to light** EU: 6 | USA 5

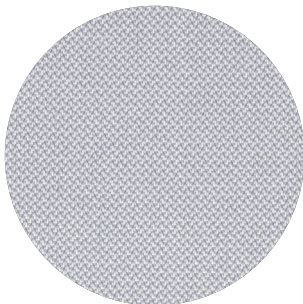
**Fastness to rubbing** EU: Wet 4-5 | Dry 4-5

**Fastness to crocking** USA: Wet 5 | Dry 5



## Revive 1

kvadrat



**Category A**

**Composition** 100% recycled polyester FR

**Weight** 430 g/lin.m

**Abrasion resistance** 60.000 Martindale rubs, EN ISO 12947

**Flammability** EN 1021-1/2 | DIN 4102 B1 | Önorm B1/Q1  
UNI 9175 1IM | US Cal. Tech. Bull. 117  
IMO A.652 (16)

**Fastness to light** Note 5-7, ISO 105-B02

**Fastness to rubbing** (ISO) dry 5, wet 4-5

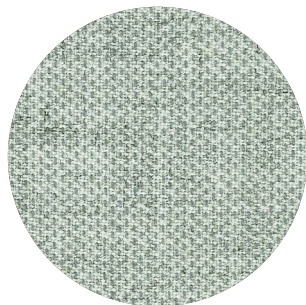
**Pilling** Note 4-5, EN ISO 12945





## Clara 2

kvadrat



**Category B**

**Composition** 92% new wool, 8% nylon

**Weight** 400 g/lin.m

**Abrasion resistance** 80.000 Martindale rubs, EN ISO 12947

**Flammability** EN 1021-1/2 | BS 5852, ignition source 2-3 | DIN 4102 B2  
NF D 60 013 | UNI 9175 11M | US Cal. Tech. Bull. 117, Sec. E  
NFPA 260 | IMO A.652(16)

**Fastness to light** Note 5-7, ISO 105-B02

**Fastness to rubbing** (ISO) dry 4-5, wet 4

**Pilling** Note 4, EN ISO 12945



## Remix 3

kvadrat



**Category B**

**Composition** 90% new wool, 10% nylon

**Weight** 415 g/lin.m

**Abrasion resistance** 100.000 Martindale rubs, EN ISO 12947

**Flammability** EN 1021-1/2 | BS 5852 part 1  
Önorm B1/Q1 | NF D 60 013 | UNI 9175, 11M  
AS/NZS 1530.3 | Cal. Tech. Bull. 117-2013  
NFPA 260 | IMO FTP Code 2010:Part 8

**Fastness to light** Note 5-7, ISO 105-B02

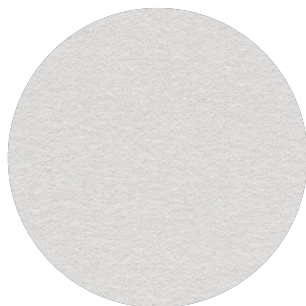
**Fastness to rubbing** (ISO) dry 4-5, wet 4

**Pilling** Note 4, EN ISO 12945



## Hero

kvadrat



**Category C**

**Composition** 96% new wool, 4% nylon

**Weight** 580 g/lin.m

**Abrasion resistance** 45.000 Martindale rubs, EN ISO 12947

**Flammability** EN 1021-1/2 | DIN 4102 B2 | NF D 60 013  
UNI 9175 11M | US Cal. Bull. 117-2013 | NFPA 260  
IMO A.652 (16)

**Fastness to light** Note 5-6, ISO 105-B02

**Fastness to rubbing** (ISO) dry 4-5, wet 4-5

**Pilling** Note 3-4, EN ISO 12945



## Tonus 4

kvadrat



**Category D**

**Composition** 90% new wool, 10% Helanca

**Weight** 665 g/lin.m

**Abrasion resistance** 100.000 Martindale rubs, EN ISO 12947

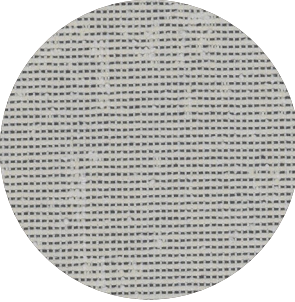
**Flammability** EN 1021-1/2 | BS 5852 part 1 | DIN 4102 B2  
Önorm B1/Q1 | NF D 60 013 | UNI 9175 11M  
US Cal. Bull. 117-2013 | NFPA 260 | IMO A.652 (16)

**Fastness to light** Note 5-7, ISO 105-B02

**Fastness to rubbing** (ISO) dry 3-5, wet 3-5

**Pilling** Note 3, EN ISO 12945





**Category** E

**Composition** 100% Trevira CS

**Weight** 700 g/lin.m

**Abrasion resistance**

35.000 rubs acc. to the Martindale method, EN ISO 12947

**Flammability** EN 1021-1/2 | DIN 4102 B1 | Önorm B1/Q1  
NF D 60 013 | NF P 92 507 M1 | UNI 9175 11M  
UNI 9177 classe 1 | US Cal. Tech. Bull. 117  
IMO A.652 (16)

**Fastness to light** Note 5-8, ISO 105-B02

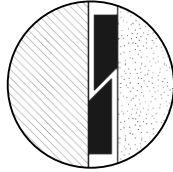
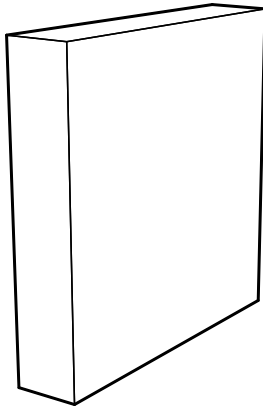
**Fastness to rubbing** (ISO) dry 4-5, wet 4-5

**Pilling** Note 4, EN ISO 12945



# Fixing Systems

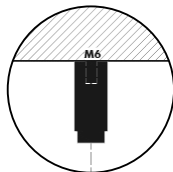
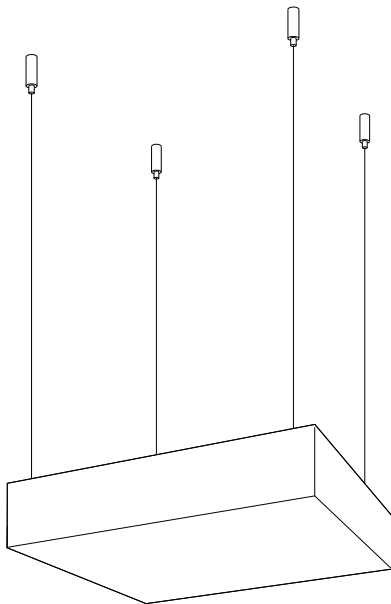
## Fixing System Wall (included)



Square | Square Wedge | Hexa | Penta  
 Rectangular | Rectangular Wedge

1pc  
 2pcs

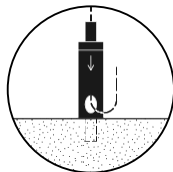
## Fixing System Ceiling Pendant (optional, not for RXL)



### Fixing System Screw

Square | Square Wedge |  
 Rectangular |  
 Rectangular Wedge:

4 cables per set, incl. fastner  
 (Stair bolts M6 included)



Hexa | Penta:

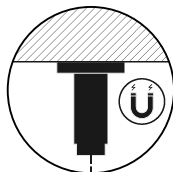
3 cables per set, incl. fastner  
 (Stair bolts M6 included)

Cables:

200 or 500 cm  
 78.74 or 196.85"

Color cable:

Black or Silver



### Fixing System Magnet

Square | Square Wedge |  
 Rectangular:

4 cables + 4 magnets\*

Hexa | Penta:

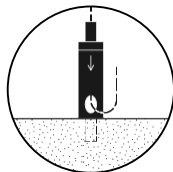
3 cables + 3 magnets\*

Cables:

200 or 500 cm  
 78.74 or 196.85"

Color cable:

Black or Silver

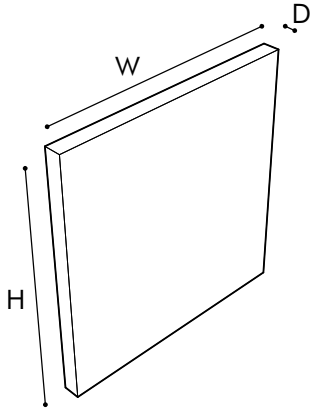


\*1 magnet (Ø 3,2 cm H 0,8 cm | Ø 1.26" H 0.31") can take up to 10 kg | 22.05 lbs when hanging on a solid metal surface.

# Dimensions BuzziBlox

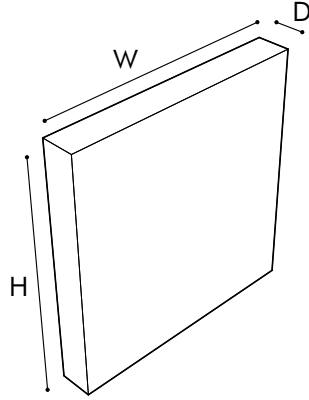
## BuzziBlox Square

**SQ-4**



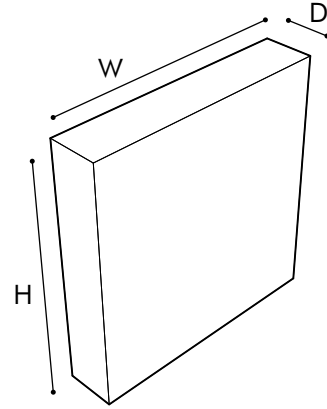
**SQ-4** W 59,5 cm H 59,5 cm D 4 cm  
W 23.43" H 23.43" D 1.57"

**SQ-8**



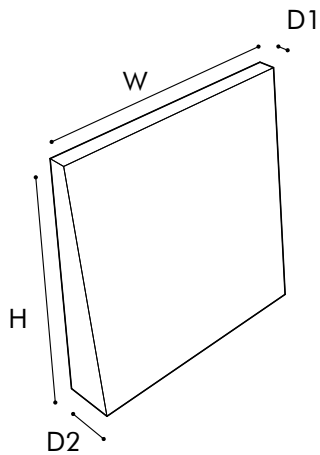
**SQ-8** W 59,5 cm H 59,5 cm D 8 cm  
W 23.43" H 23.43" D 3.15"

**SQ-12**



**SQ-12** W 59,5 cm H 59,5 cm D 12 cm  
W 23.43" H 23.43" D 4.72"

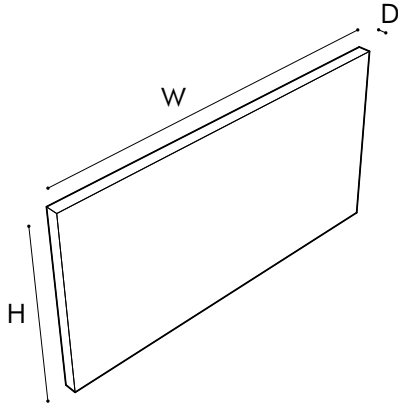
## SQ-Wedge



**SQ-Wedge** W 59,5 cm H 59,5 cm  
D1 4 cm D2 12 cm  
W 23.43" H 23.43"  
D1 1.57" D2 4.72"

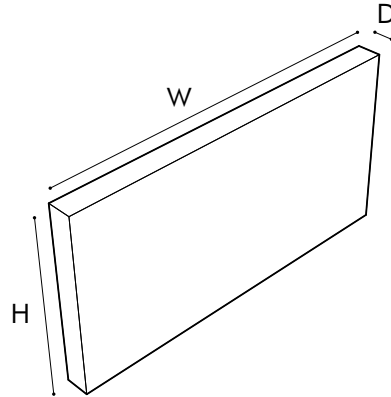
# BuzziBlox Rectangular

**R-4**



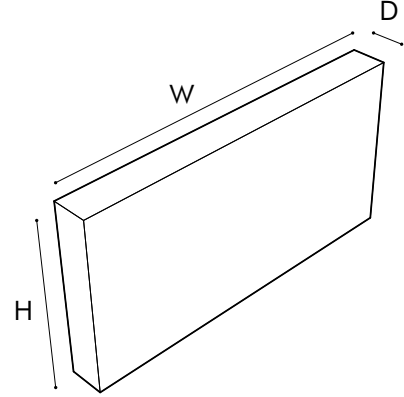
**R-4** W 119 cm H 59,5 cm D 4 cm  
W 46.85" H 23.43" D 1.57"

**R-8**



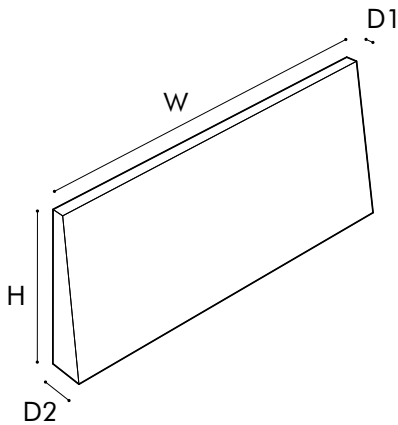
**R-8** W 119 cm H 59,5 cm D 8 cm  
W 46.85" H 23.43" D 3.15"  
**RXL-8** W 200 cm H 100 cm D 8cm  
W 78.74" H 39.37" D 3.15"

**R-12**



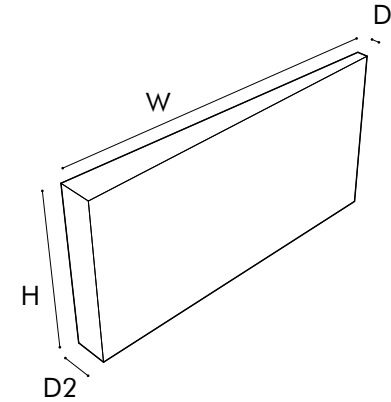
**R-12** W 119 cm H 59,5 cm D 12 cm  
W 46.85" H 23.43" D 4.72"  
**RXL-12** W 200 cm H 100 cm D 12 cm  
W 78.74" H 39.37" D 4.72"

**R-Woss**



**R-Woss** W 119 cm H 59,5 cm  
D1 4 cm D2 12 cm  
W 46.85" H 23.43"  
D1 1.57" D2 4.72"

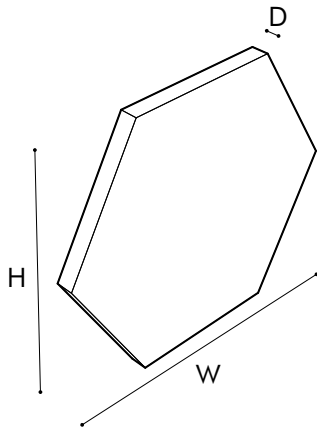
**R-Wols**



**R-Wols** W 119 cm H 59,5 cm  
D1 4 cm D2 12 cm  
W 46.85" H 23.43"  
D1 1.57" D2 4.72"

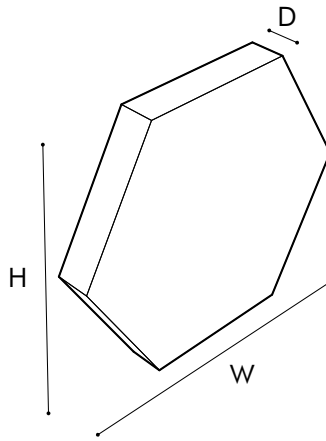
# BuzziBlox Hexa

## Hexa-4



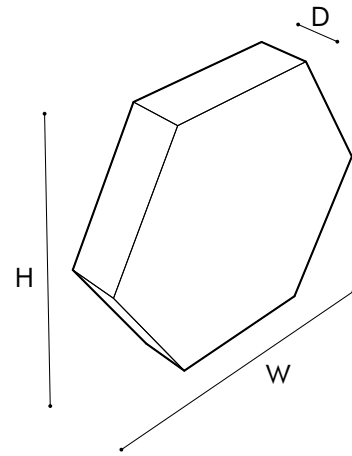
**Hexa-4** W 69,3 cm H 60 cm D 4 cm  
W 27.28" H 23.62" D 1.57"

## Hexa-8



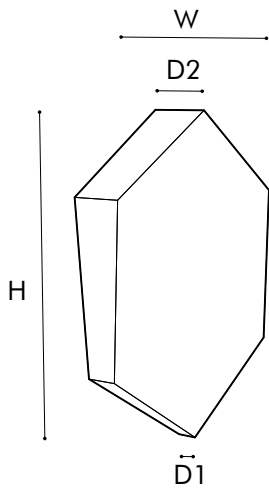
**Hexa-8** W 69,3 cm H 60 cm D 8 cm  
W 27.28" H 23.62" D 3.15"

## Hexa-12



**Hexa-12** W 69,3 cm H 60 cm D 12 cm  
W 27.28" H 23.62" D 4.72"

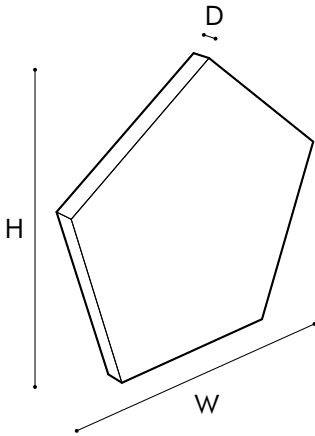
## Hexa-Wedge



**Hexa-Wedge** W 69,3 cm H 60 cm  
D1 4 cm D2 12 cm  
W 27.28" H 23.62"  
D1 1.57" D2 4.72"

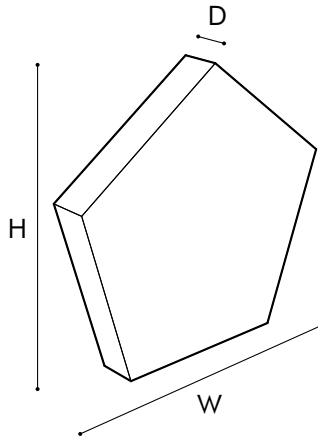
# BuzziBlox Penta

**Penta-4**



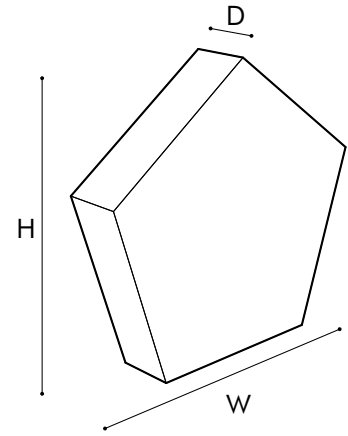
**Penta-4** W 63,1 cm H 60 cm D 4 cm  
W 24.84" H 23.62" D 1.57"

**Penta-8**



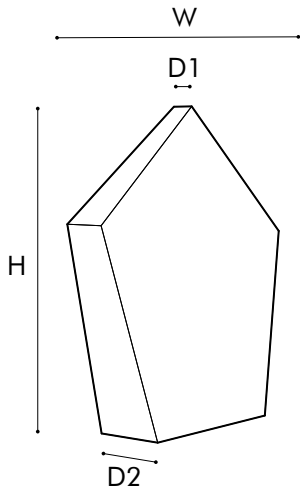
**Penta-8** W 63,1 cm H 60 cm D 8 cm  
W 24.84" H 23.62" D 3.15"

**Penta-12**



**Penta-9** W 63,1 cm H 60 cm D 12 cm  
W 24.84" H 23.62" D 4.72"

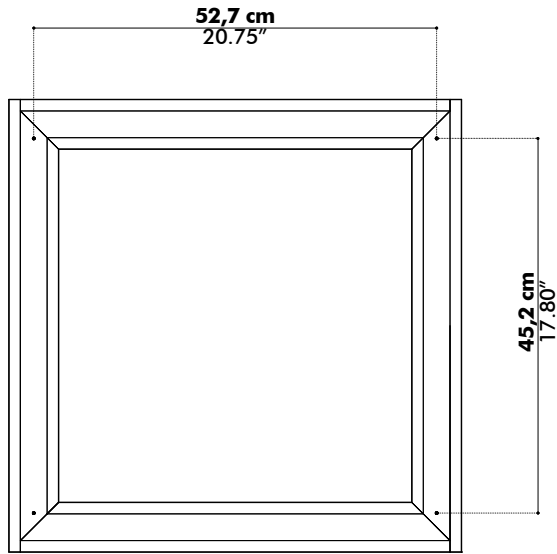
## Penta-Wedge



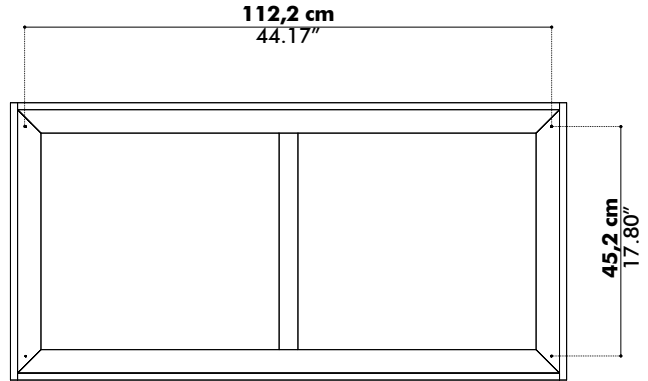
**Penta-Wedge** W 63,1 cm H 60 cm  
D1 4 cm D2 12 cm  
W 24.84" H 23.62"  
D1 1.57" D2 4.72"

# Dimensions fixing points (only for ceiling pendant)

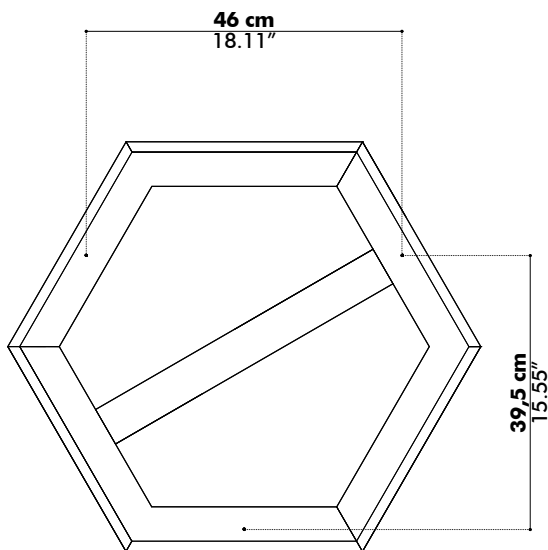
## Square | Square Wedge



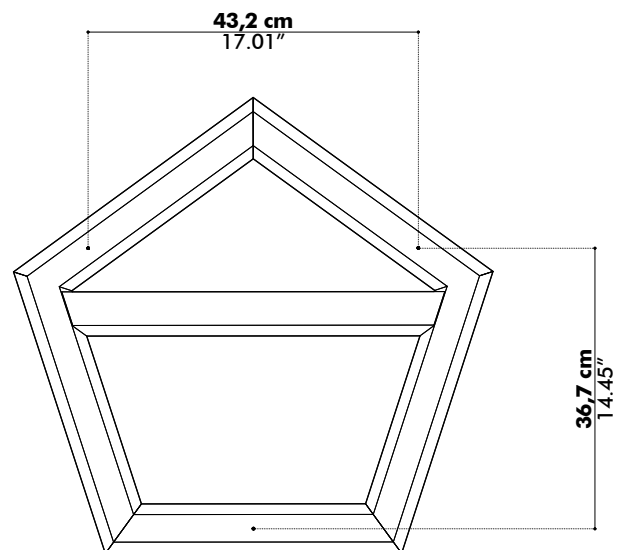
## Rectangular | Rectangular Wedge



## Hexa | Hexa Wedge



## Penta | Penta Wedge

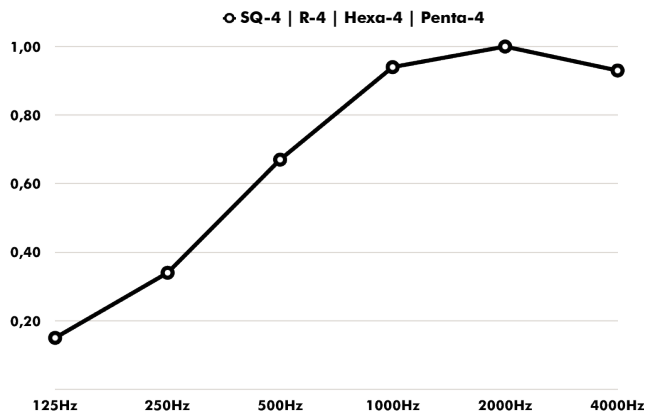




# Acoustics

## BuzziBlox Wall Mounted SQ-4 | R-4 | Hexa-4 | Penta-4

### Absorption coefficient



Hz	$\alpha^s$
125	0.15
250	0.34
500	0.67
1000	0.94
2000	1.00
4000	0.93

### Absorption Values

$\alpha_w$   
(ISO 11654) **0.65**

NRC  
(ASTM - C423) **0.75**

SAA  
(ASTM-C423) **0.76**

Class  
(ISO 11654) **C**

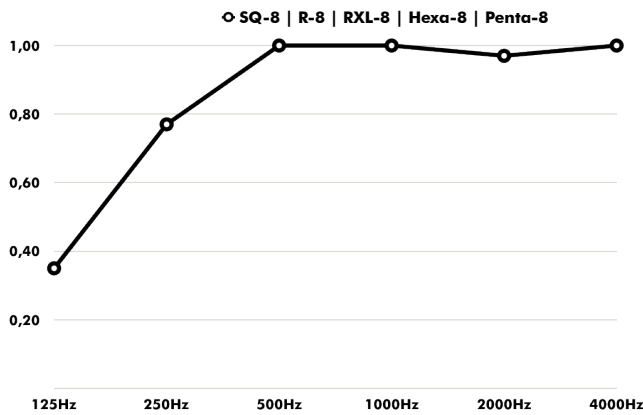
### Equivalent sound absorption area in m<sup>2</sup> per object



Hz	SQ-4 Hexa-4 Penta-4 Aeq/m <sup>2</sup>	R-4 Aeq/m <sup>2</sup>
125	0.05	0.10
250	0.12	0.24
500	0.24	0.48
1000	0.34	0.68
2000	0.39	0.78
4000	0.34	0.68

# BuzziBlox Wall Mounted SQ-8 | R-8 | RXL-8 | Hexa-8 | Penta-8

## Absorption coefficient



Hz	$\alpha^s$
125	0.35
250	0.77
500	1,00
1000	1,00
2000	0,97
4000	1,00

## Absorption values

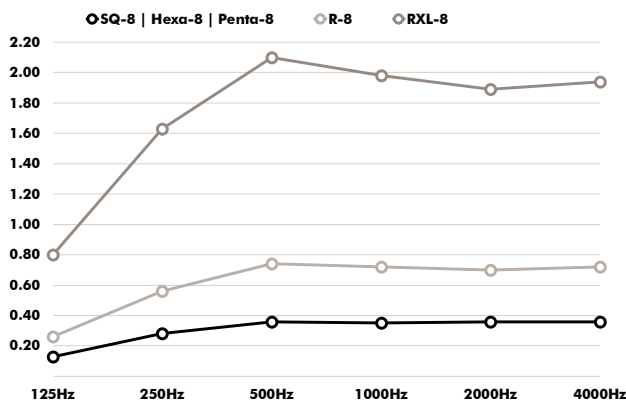
$\alpha_w$   
(ISO 11654) **1.00**

NRC  
(ASTM - C423) **0.95**

SAA  
(ASTM-C423) **0.95**

Class  
(ISO 11654) **A**

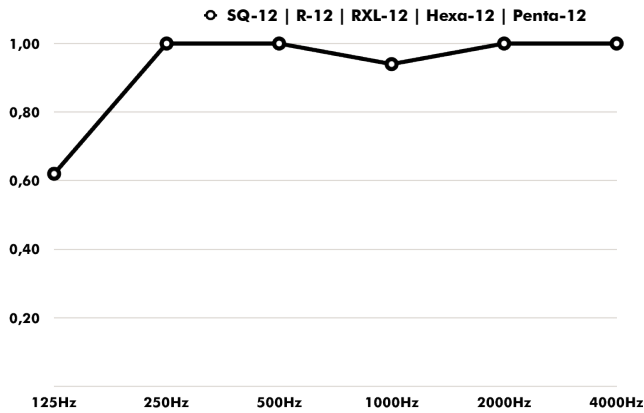
## Equivalent sound absorption area in m<sup>2</sup> per object



Hz	SQ-8 Hexa-8 Penta-8 Aeq/m <sup>2</sup>	R-8 Aeq/m <sup>2</sup>	RXL-8 Aeq/m <sup>2</sup>
125	0.13	0.26	0.80
250	0.28	0.56	1.63
500	0.36	0.74	2.10
1000	0.35	0.72	1.98
2000	0.36	0.70	1.89
4000	0.36	0.72	1.94

# BuzziBlox Wall mounted SQ-12 | R-12 | RXL-12 | Hexa-12 | Penta-12

## Absorption coefficient



Hz	$\alpha^s$
125	0.62
250	1.00
500	1.00
1000	0.94
2000	1.00
4000	1.00

## Absorption values

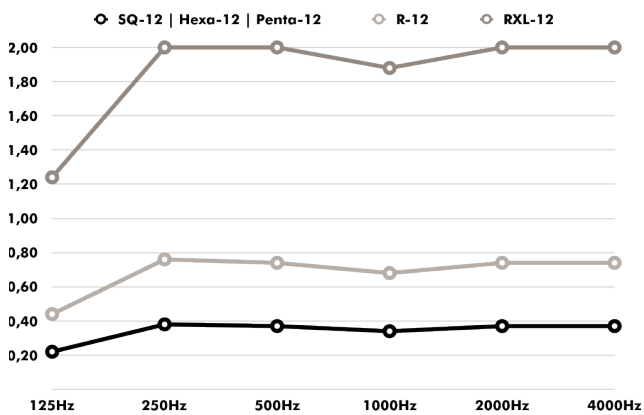
$\alpha_w$   
(ISO 11654) **1.00**

NRC  
(ASTM - C423) **1.00**

SAA  
(ASTM-C423) **1.00**

Class **A**  
(ISO 11654)

## Equivalent sound absorption area in m<sup>2</sup> per object

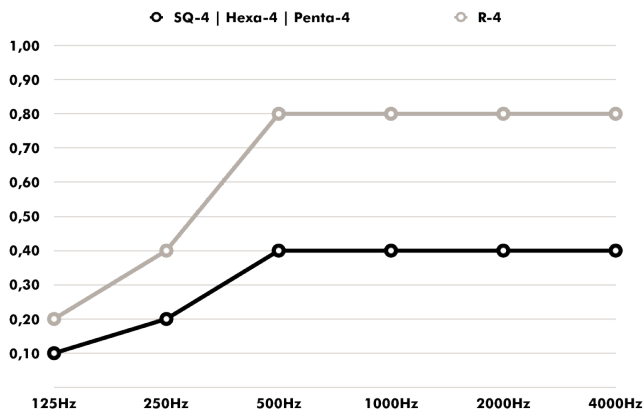


Hz	SQ-12 Hexa-12 Penta-12 Aeq/m <sup>2</sup>	R-12 Aeq/m <sup>2</sup>	RXL-12 Aeq/m <sup>2</sup>
125	0.22	0.44	1.24
250	0.38	0.76	2.00
500	0.37	0.74	2.00
1000	0.34	0.68	1.88
2000	0.37	0.74	2.00
4000	0.37	0.74	2.00

Glossary p.22

## BuzziBlox Ceiling Mounted SQ-4 | R-4 | Hexa-4 | Penta-4

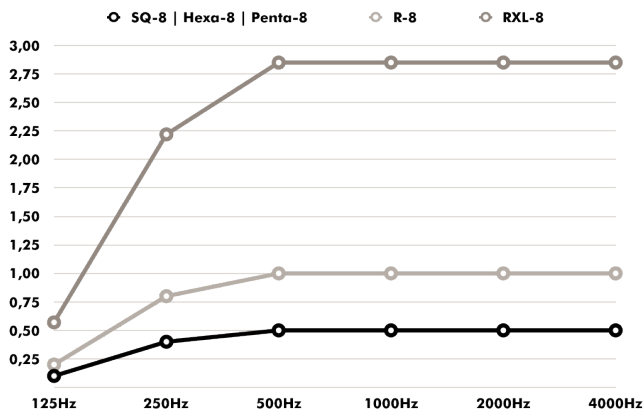
Equivalent sound absorption area in m<sup>2</sup> per object



Hz	SQ-4 Hexa-4 Penta-4 Aeq/m <sup>2</sup>	R-4 Aeq/m <sup>2</sup>
125	0.10	0.20
250	0.20	0.40
500	0.40	0.80
1000	0.40	0.80
2000	0.40	0.80
4000	0.40	0.80

## BuzziBlox Ceiling Mounted SQ-8 | R-8 | RXL-8 | Hexa-8 | Penta-8

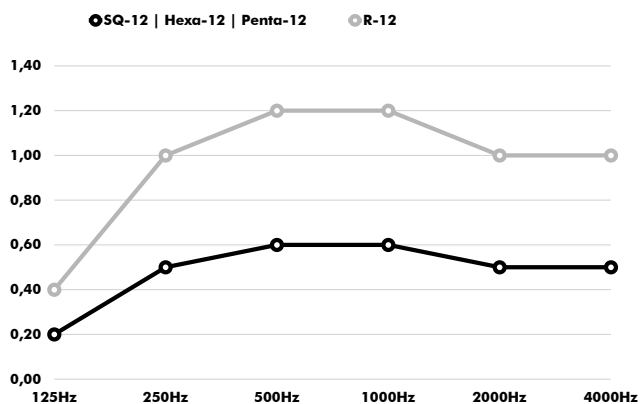
Equivalent sound absorption area in m<sup>2</sup> per object



Hz	SQ-8 Hexa-8 Penta-8 Aeq/m <sup>2</sup>	R-8 Aeq/m <sup>2</sup>	RXL-8 Aeq/m <sup>2</sup>
125	0.10	0.20	0.57
250	0.40	0.80	2.22
500	0.50	1.00	2.85
1000	0.50	1.00	2.85
2000	0.50	1.00	2.85
4000	0.50	1.00	2.85

## BuzziBlox Ceiling Mounted SQ-12 | R-12 | Hexa-12 | Penta-12

Equivalent sound absorption area in m<sup>2</sup> per object



Hz	SQ-12 Hexa-12 Penta-12 Aeq/m <sup>2</sup>	R-12 Aeq/m <sup>2</sup>
125	0.20	0.40
250	0.50	1.00
500	0.60	1.20
1000	0.60	1.20
2000	0.50	1.00
4000	0.50	1.00

---

## Glossary

All calculations are based on accredited lab measurements, official document available on Buzzi.Space

### Definitions

---

<b><math>\alpha</math></b>	Weighted absorption coefficient	(ISO 11654)
<b>NRC</b>	Noise reduction coefficient	(ASTM - C423)
<b>SAA</b>	Sound absorption average	(ASTM - C423)

### Classification of sound absorbers NEN-EN-ISO 11654

---

<b>A</b>	0.90   0.95   1.0
<b>B</b>	0.80   0.85
<b>C</b>	0.60   0.65   0.70   0.75
<b>D</b>	0.03   0.55
<b>E</b>	0.15   0.25