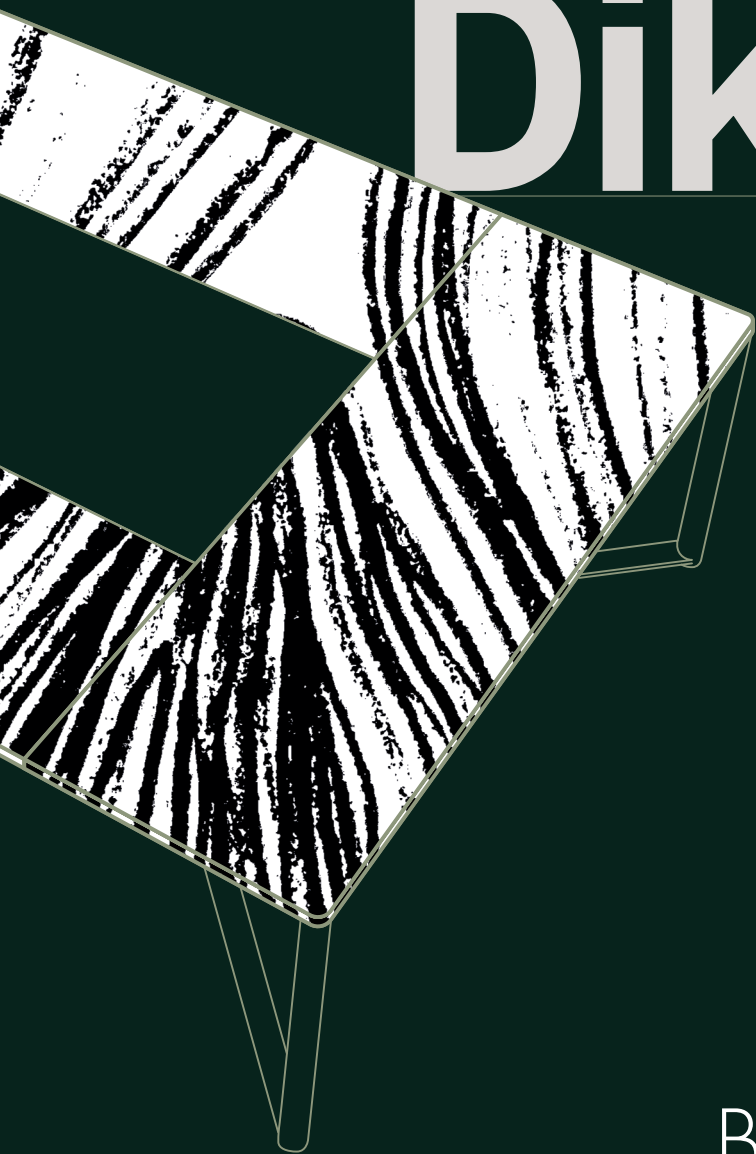


presential desk
TECHNICAL FILE

Diktat



BOS
BARCELONA
— SINCE 1964 —

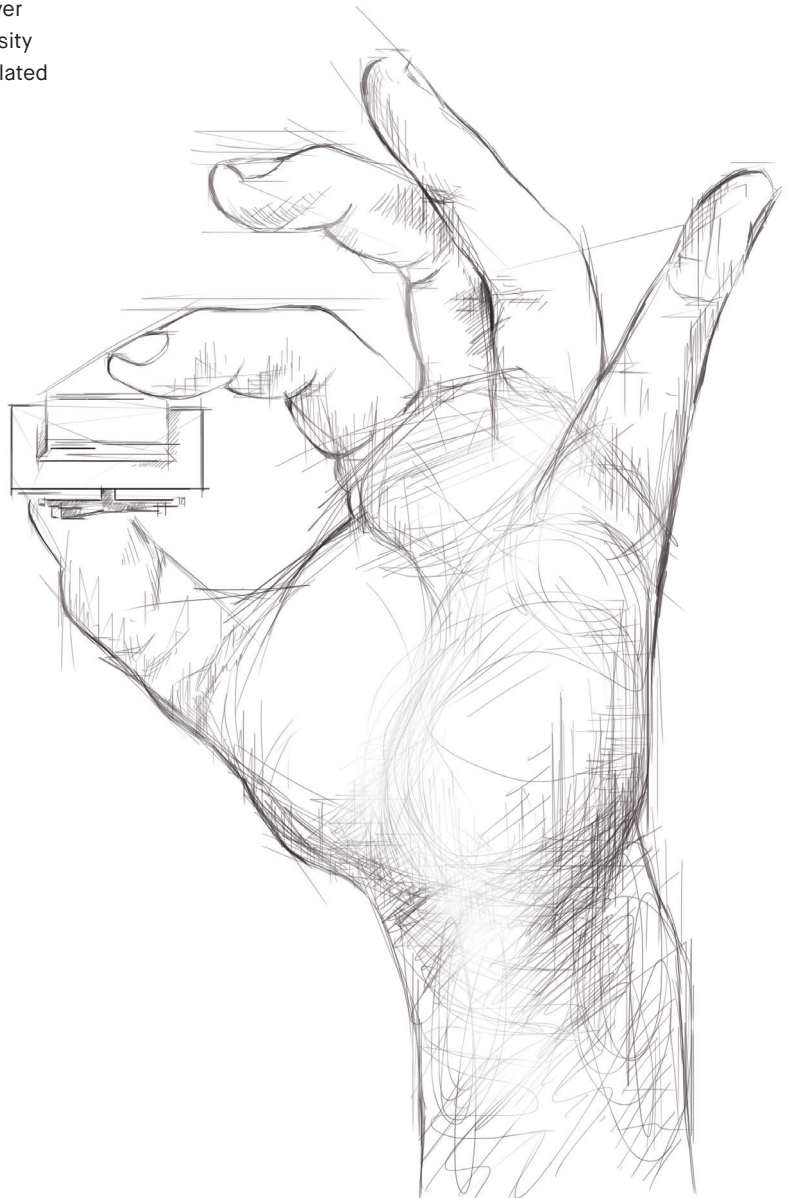
Materials, Finishes & Quality

- Table top core is MDF Mediland quality LP classified as Class E1 according to European norm EN 622-1:2003 and density between 600-620KGS/m3 which is maximum in furniture appliance.
- To achieve the piano lacquer finish a thick layer of lacquer is applied which afterwards goes through a 10 days manual polishing process with wool.
- All pieces come with three layers of polish with **sanding by hand** between each layer to achieve an optimal smooth adherence and durability.
- The wooden parts are all **polished** with lacquers of polyurethane with high content of solids to build a greater hardness without losing the sensation of the wooden touch.
- The decorating elements are made by **laser cut stainless steel** finished by hand.
- The structures are made of steel given an **exclusive treatment** which consist of niquel bath, lacquered and polished by hand.
- All tables are **finished by hand**, pre-assembled in the factory, numbered one by one to guarantee a perfect assembly for the final client.
- **Unique packaging** in reticulated polyethylene foam, triple layer of laminate polyethylene with hermetic bubbles 5x5 and density of 5400 bubbles/m2, corner protectors of high density reticulated polyethylene foam and cardboard box made to fit.



UNE-EN ISO
9001:2015

UNE-EN ISO
14001:2015

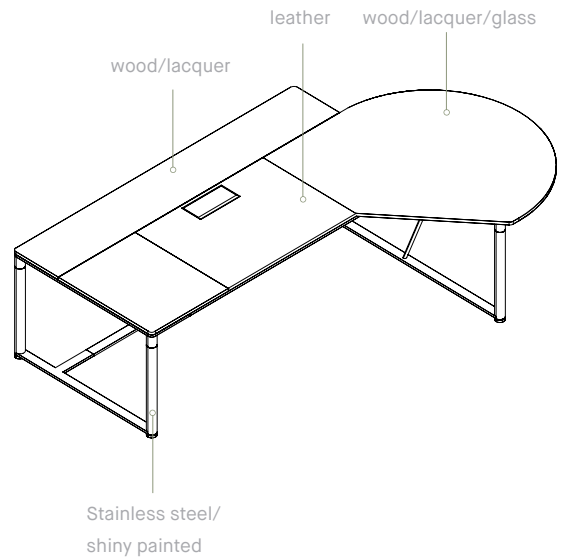


DIKTAT

TECHNICAL PRESENTATION

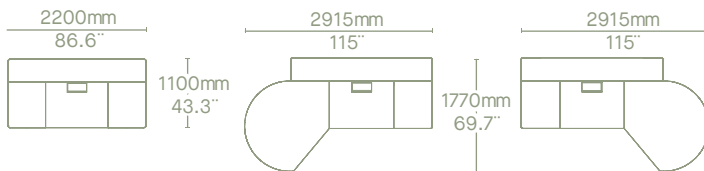
Presidential desk

- Conference table with **19 + 19 mm / 0.7 + 0.7"**. Top in MDF, supported on steel frame, 19 mm / 0.7" thickness.
- Table top with natural veneer, piano lacquer, leather or glass. You can **combine these materials**.
- Steel structure with stainless steel finish.
- Desk top with natural veneer or piano lacquered finish (white/black). It can also be **customized** as especial request.
- The desks come with **levelers for floor adjustment**
- The top has a **wiring beam with flap** in stainless steel.
- Modesty panel lacquered **wire enable** available.



Dimensions

Presidential desks



Mobile pedestals & Side credenzas

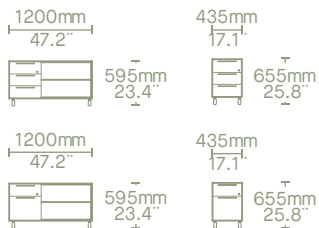


Table top

Thickness



19+19mm
0.7+0.7"

Shape



Finishes

Wood
Lacquer
Glass
Leather

Structure

Shapes



Ø50mm
Ø2"

Finishes

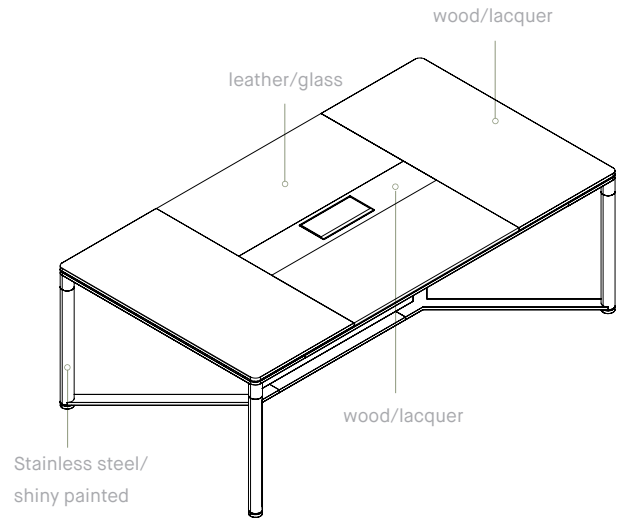
Stainless steel
Bright paint

DIKTAT

TECHNICAL PRESENTATION

Meeting table

- Conference table with **19 + 19 mm / 0.7 + 0.7"**. Top in MDF, supported on steel frame, 19 mm/0.7" thickness.
- Table top with natural veneer, piano lacquer, leather or glass. You can **combine these materials**.
- Steel structure with stainless steel finish.
- The structure can be made of **steel with a niquel bath or black painted**. It is a modular system, you can make proportional tables with 1200mm/47.2" or 1800mm/70.9" of width and different lengths.
- The table has **100% cable management** through a central metal wiring channel in top. The channel has steel flip covers to access to the power strips options. The cables descents through a lacquer tower.



Dimensions

Meeting tables

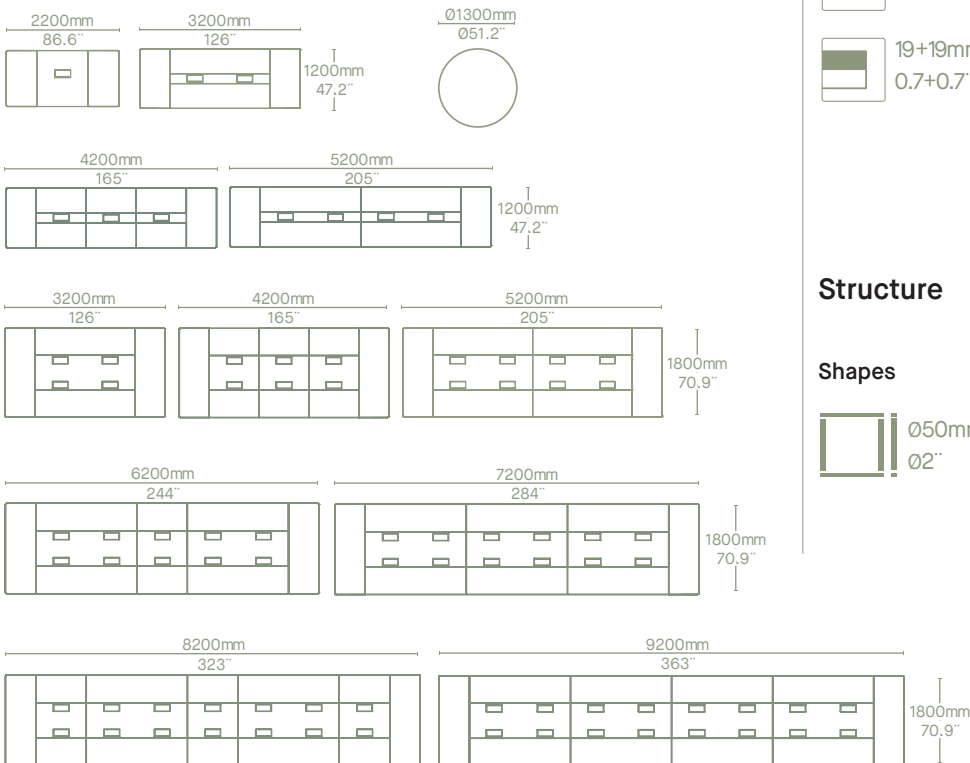


Table top

Thickness



Shape



Finishes

Wood
Lacquer
Leather

Structure

Shapes



Finishes

Stainless steel
Bright paint

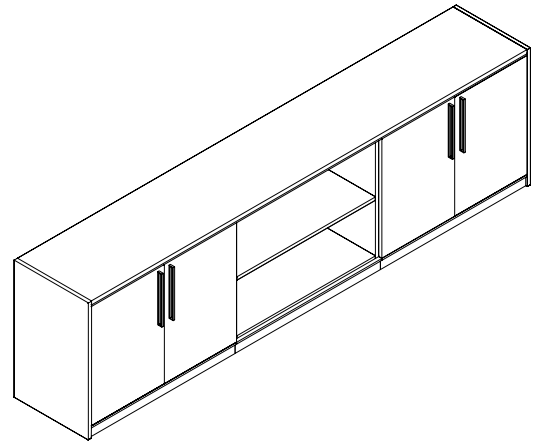
DIKTAT

TECHNICAL PRESENTATION

LUXURY COLLECTION

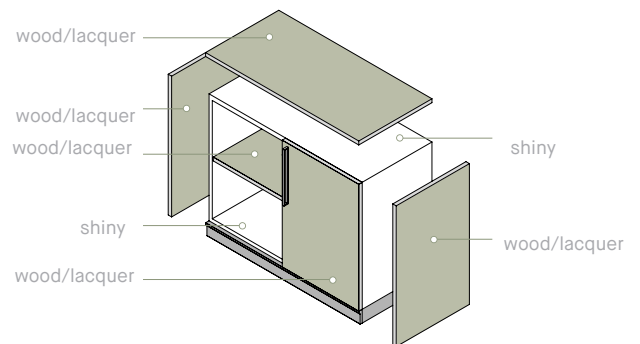
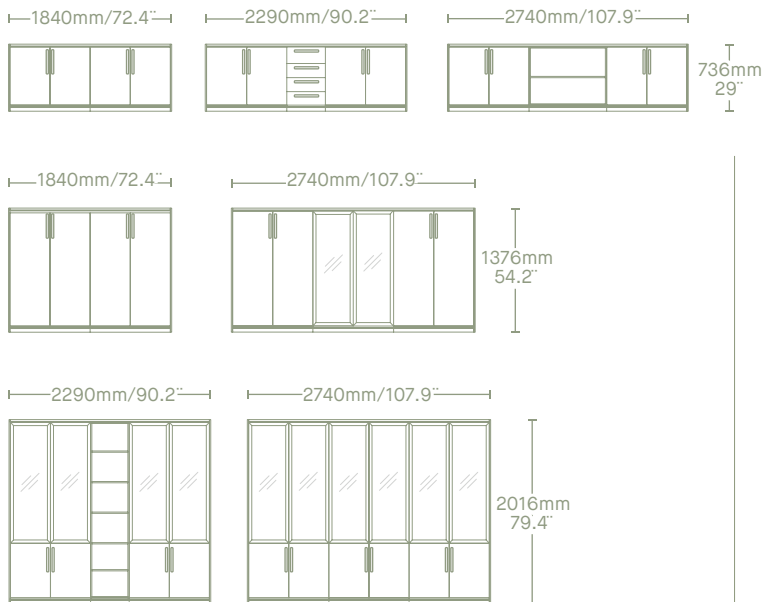
Credenzas & Bookcases

- Credenzas and bookcases from the **luxury collection** which are made with modules of 450 mm/17.7" or 900 mm/35.4" width, in black/white shiny lacquer with wooden or piano lacquered shelves or doors. To finish the composition you need to finish with top and side panels.
- Modules are either open or closed with **wooden/piano lacquered doors or transparent glass doors** with aluminium profile.
- There is a specific module which is prepared for incorporation of refrigerator to make a bar module.
- Credenzas offer the possibility of a module with 4 drawers.



Dimensions

Meeting tables

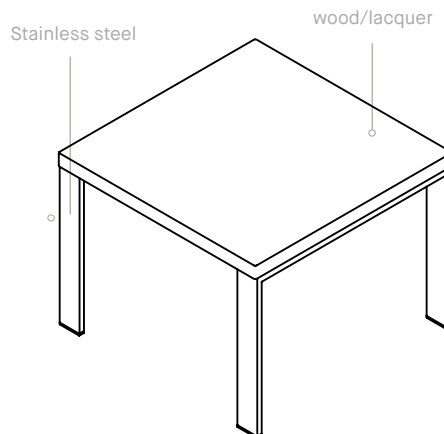


DIKTAT

TECHNICAL PRESENTATION

Occasional tables

- Occasional table with **MDF table top of 30 mm/1.2"** and **a matt glass of 6+6 mm/0.2+0.2"**.
- Coffee tables with **steel structure** in inox finish.
- Tops finished in **natural wood veneer** or **white/white piano lacquer**.



Dimensions

Occasional tables

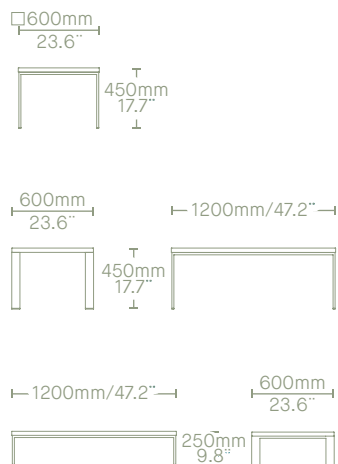
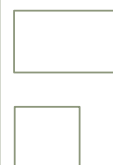


Table top

Thickness



Shape



Finishes

Wood
Lacquer
Matt glass

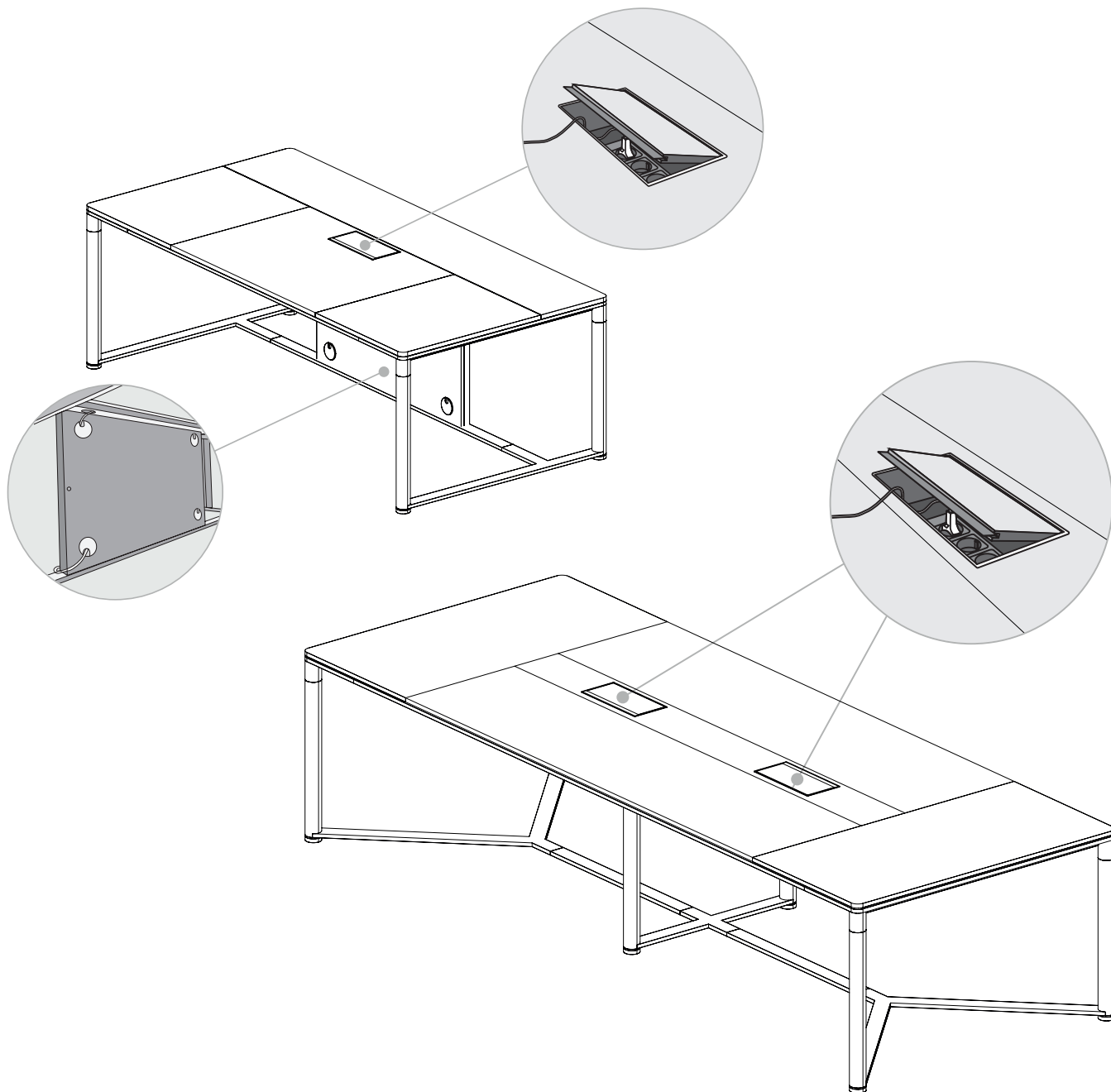
Structure

Finishes

Stainless steel

DIKTAT

CABLE MANAGEMENT



Powerstrip options - Power strip three positions



Schuko



UK socket



US socket



Euroamericana



Charger USB



USBA



USBB



USBC



RJ45 cat6



HDM



VGA with jack



DVI



XR L 3 pin

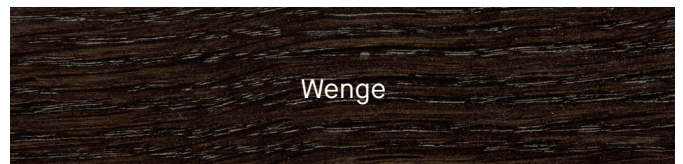
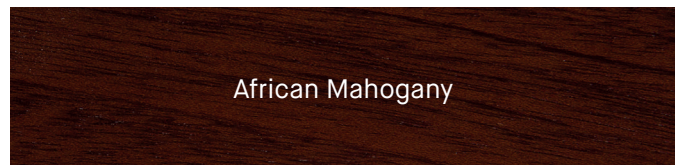
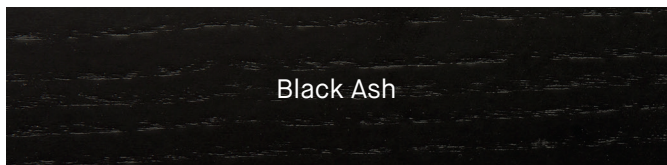
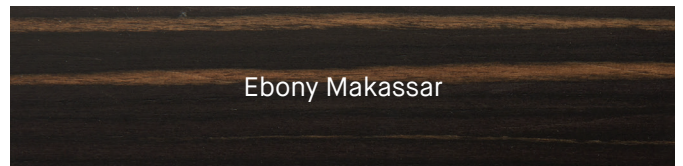
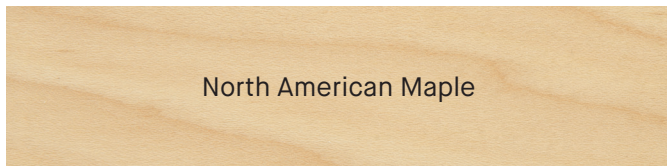


RCA

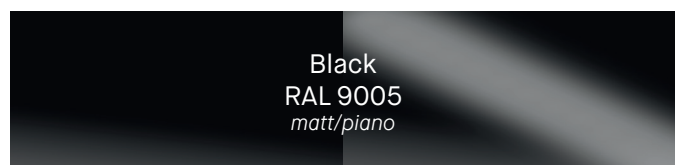


DIKTAT FINISHES

Natural wood veneers



Lacquer finishes



Full Grain Leather - serie 900 - *Category Leather*

979	949	929
913	916	902
907	954	939
911	947	927
967	937	941
942	909	920
930	945	922
904	914	925
900	935	943
908	944	912
903		

Natural Leather - serie 100 - *Category Leather*

179	136	126
131	142	117
113	127	121
197	125	103

Eco leather - Valencia - *Category FAB1*

8032	1048	1049
1001	0002	9001
4001	1050	0035
2020	6019	0033
6012	2075	2082
5001	5089	0020
3001	3089	3087
4040	4002	4045
4043	4041	4003
		9035

Eco leather - Chronos - *Category FAB2*

0001	0002	0003
0008	0004	0007
0005	0006	0009
0013	0011	0010
0018	0019	0020


Eco leather - Polaris - *Category FAB2*


3393	3635	4712
3895	4714	3684
6296	2070	2936
3540	3663	3685
2774	2882	565





Diagonal 456
08006 Barcelona (Spain)

T +34 932 370 942
info@bos1964.com


 [bosbarcelona.com](https://www.bosbarcelona.com)

 Instagram
[@bosbarcelona](https://www.instagram.com/bosbarcelona)

 Facebook
[/bos1964](https://www.facebook.com/bos1964)

 LinkedIn
[Bos Barcelona](https://www.linkedin.com/company/Bos-Barcelona)

 Pinterest
[/bos1964](https://www.pinterest.com/bos1964)

 Youtube
[BOS Barcelona](https://www.youtube.com/BOS-Barcelona)